

# ACCESSORIES

## D1 & D2 Type – Gauge Damper



Max. Temperature: 120°C  
 Max. Pressure: 400 bar at 60°C

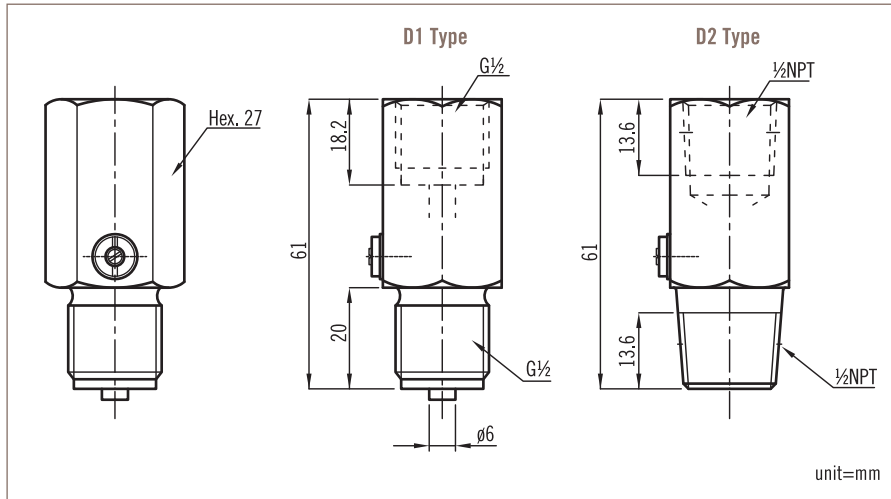
Type	Connection Thread*
D1	G ½ (G½" Female x G½" Male)
D2	½ NPT (½"NPT Female x ½"NPT Male)

\*Also available with connection thread G¼, G¾, and ¼NPT.

### Parts Material

Body	SS316
Screw plug	SS316
O-ring	Viton
Adjusting stem	SS316

### Dimension

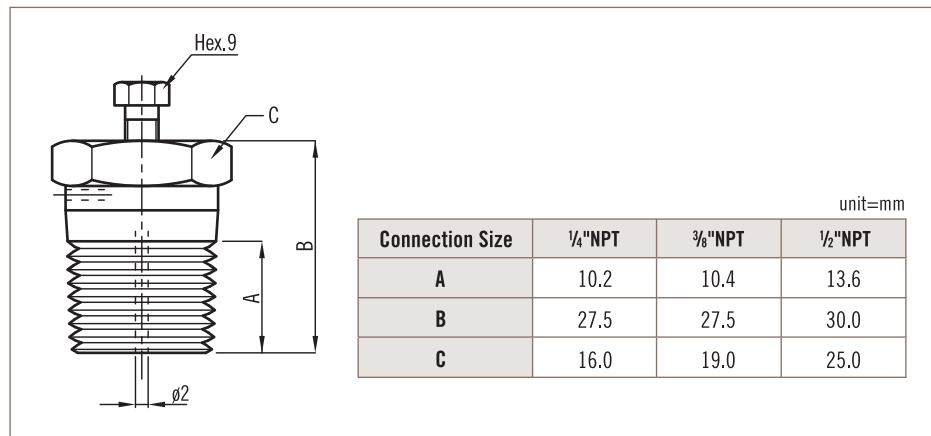


## VT Type – Drain/Vent Valves



Drain/Vent Valves Material: SS316, and others on request.  
 Max. Temperature: 250°C  
 Max. Pressure: 100 bar at 60°C

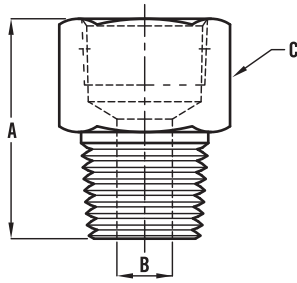
### Dimension



## NN & BN Type – Reducing Adapter



### A. NN Type – Thread NPT to Thread NPT

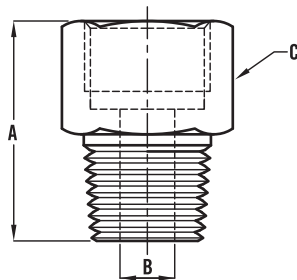


#### Ordering Information & Dimensions

Ordering Code	Connection Size	Max. Pressure Rating at 25°C		A	B	C
		SS316	Brass			
NN-1	1/8" NPT female x 1/4" NPT male	5800 psi	2800 psi	29	4.8	23
NN-2	1/8" NPT female x 3/8" NPT male	5800 psi	2800 psi	32	4.8	23
NN-3	1/8" NPT female x 1/2" NPT male	5800 psi	2800 psi	36	4.8	23
NN-4	1/8" NPT female x 3/4" NPT male	5800 psi	2800 psi	36	4.8	29
NN-5	1/4" NPT female x 1/8" NPT male	5900 psi	2900 psi	29	4.8	23
NN-6	1/4" NPT female x 3/8" NPT male	5900 psi	2900 psi	34	7.1	23
NN-7	1/4" NPT female x 1/2" NPT male	5900 psi	2900 psi	38	7.1	23
NN-8	1/4" NPT female x 3/4" NPT male	5900 psi	2900 psi	38	7.1	29
NN-9	3/8" NPT female x 1/8" NPT male	4700 psi	2300 psi	32	4.8	23
NN-10	3/8" NPT female x 1/4" NPT male	4700 psi	2300 psi	34	7.1	23
NN-11	3/8" NPT female x 1/2" NPT male	4700 psi	2300 psi	41	9.6	23
NN-12	3/8" NPT female x 3/4" NPT male	4700 psi	2300 psi	41	9.6	29
NN-13	1/2" NPT female x 1/8" NPT male	4400 psi	2100 psi	36	4.8	27
NN-14	1/2" NPT female x 1/4" NPT male	4400 psi	2100 psi	38	7.1	27
NN-15	1/2" NPT female x 3/8" NPT male	4400 psi	2100 psi	38	9.6	27
NN-16	1/2" NPT female x 1/2" NPT male	4400 psi	2100 psi	45	11.9	29
NN-17	3/4" NPT female x 1/8" NPT male	4100 psi	2000 psi	36	4.8	35
NN-18	3/4" NPT female x 1/4" NPT male	4100 psi	2000 psi	38	7.1	35
NN-19	3/4" NPT female x 3/8" NPT male	4100 psi	2000 psi	41	9.6	35
NN-20	3/4" NPT female x 1/2" NPT male	4100 psi	2000 psi	45	15.7	35

unit=in(mm)

### B. BN Type – Thread BSP(PF) to Thread NPT



#### Ordering Information & Dimensions

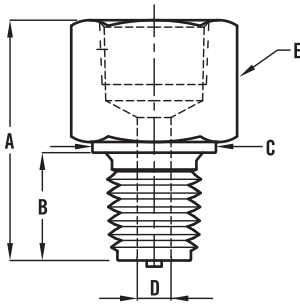
Ordering Code	Connection Size	Max. Pressure Rating at 25°C		A	B	C
		SS316	Brass			
BN-1	1/4" BSP(PF) female x 1/8" NPT male	5300 psi	2600 psi	30	4.1	23
BN-2	1/4" BSP(PF) female x 3/8" NPT male	5300 psi	2600 psi	35	5.8	23
BN-3	1/4" BSP(PF) female x 1/2" NPT male	5300 psi	2600 psi	39	5.8	23
BN-4	1/4" BSP(PF) female x 3/4" NPT male	5300 psi	2600 psi	39	5.8	29
BN-5	3/8" BSP(PF) female x 1/8" NPT male	4200 psi	2100 psi	30	4.1	23
BN-6	3/8" BSP(PF) female x 1/4" NPT male	4200 psi	2100 psi	32	5.8	23
BN-7	3/8" BSP(PF) female x 1/2" NPT male	4200 psi	2100 psi	39	7.9	23
BN-8	3/8" BSP(PF) female x 3/4" NPT male	4200 psi	2100 psi	39	7.9	29
BN-9	1/2" BSP(PF) female x 1/8" NPT male	3900 psi	1900 psi	33	4.1	27
BN-10	1/2" BSP(PF) female x 1/4" NPT male	3900 psi	1900 psi	35	5.8	27
BN-11	1/2" BSP(PF) female x 3/8" NPT male	3900 psi	1900 psi	38	7.9	27
BN-12	1/2" BSP(PF) female x 1/2" NPT male	3900 psi	1900 psi	42	11.9	29
BN-13	3/4" BSP(PF) female x 1/8" NPT male	3700 psi	1800 psi	35	4.1	35
BN-14	3/4" BSP(PF) female x 1/4" NPT male	3700 psi	1800 psi	37	5.8	35
BN-15	3/4" BSP(PF) female x 3/8" NPT male	3700 psi	1800 psi	40	7.9	35
BN-16	3/4" BSP(PF) female x 1/2" NPT male	3700 psi	1800 psi	44	11.9	35

unit=in(mm)

## NB & BB Type – Reducing Adapter



### A. NB Type – Thread NPT to Thread BSP(PF)

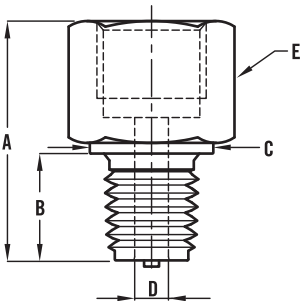


#### Ordering Information & Dimensions

Ordering Code	Connection Size	Max. Pressure Rating at 25°C		A	B	C	D	E
		SS316	Brass					
NB-1	1/8" NPT female x 1/4" BSP male	5800 psi	2800 psi	30	11.2	18	4.1	23
NB-2	1/8" NPT female x 3/8" BSP male	5800 psi	2800 psi	32	11.2	21.6	4.1	23
NB-3	1/8" NPT female x 1/2" BSP male	5800 psi	2800 psi	36	14.2	25.9	4.1	27
NB-4	1/8" NPT female x 3/4" BSP male	5800 psi	2800 psi	36	15.7	32	4.1	35
NB-5	1/4" NPT female x 1/4" BSP male	5900 psi	2900 psi	32	11.2	18	5.8	23
NB-6	1/4" NPT female x 3/8" BSP male	5900 psi	2900 psi	34	11.2	21.6	5.8	23
NB-7	1/4" NPT female x 1/2" BSP male	5900 psi	2900 psi	38	14.2	25.9	5.8	27
NB-8	1/4" NPT female x 3/4" BSP male	5900 psi	2900 psi	38	15.7	32	5.8	35
NB-9	3/8" NPT female x 1/4" BSP male	4700 psi	2300 psi	35	11.2	18	5.8	23
NB-10	3/8" NPT female x 3/8" BSP male	4700 psi	2300 psi	37	11.2	21.6	7.9	23
NB-11	3/8" NPT female x 1/2" BSP male	4700 psi	2300 psi	41	14.2	25.9	7.9	27
NB-12	3/8" NPT female x 3/4" BSP male	4700 psi	2300 psi	41	15.7	32	7.9	35
NB-13	1/2" NPT female x 1/4" BSP male	4400 psi	2100 psi	39	11.2	18	5.8	23
NB-14	1/2" NPT female x 3/8" BSP male	4400 psi	2100 psi	41	11.2	21.6	7.9	23
NB-15	1/2" NPT female x 1/2" BSP male	4400 psi	2100 psi	45	14.2	25.9	11.9	27
NB-16	1/2" NPT female x 3/4" BSP male	4400 psi	2100 psi	45	15.7	32	11.9	35
NB-17	3/4" NPT female x 1/4" BSP male	4100 psi	2000 psi	39	11.2	18	5.8	23
NB-18	3/4" NPT female x 3/8" BSP male	4100 psi	2000 psi	41	11.2	21.6	7.9	23
NB-19	3/4" NPT female x 1/2" BSP male	4100 psi	2000 psi	45	14.2	25.9	11.9	27
NB-20	3/4" NPT female x 3/4" BSP male	4100 psi	2000 psi	45	15.7	32	15.7	35

unit=in(mm)

### B. BB Type – Thread BSP(PF) to Thread BSP(PF)



#### Ordering Information & Dimensions

Ordering Code	Connection Size	Max. Pressure Rating at 25°C		A	B	C	D	E
		SS316	Brass					
BB-1	1/4" BSP female x 3/8" BSP male	2600 psi	2800 psi	30	11.2	21.6	5.8	23
BB-2	1/4" BSP female x 1/2" BSP male	2600 psi	2800 psi	35	14.2	25.9	5.8	23
BB-3	1/4" BSP female x 3/4" BSP male	2600 psi	2800 psi	36	15.7	32	5.8	35
BB-4	3/8" BSP female x 1/4" BSP male	2100 psi	2800 psi	33	11.2	18	5.8	23
BB-5	3/8" BSP female x 1/2" BSP male	2100 psi	2800 psi	35	14.2	25.9	7.9	27
BB-6	3/8" BSP female x 3/4" BSP male	2100 psi	2800 psi	36	15.7	32	7.9	35
BB-7	1/2" BSP female x 1/4" BSP male	1900 psi	2800 psi	36	11.2	18	5.8	23
BB-8	1/2" BSP female x 3/8" BSP male	1900 psi	2800 psi	36	11.2	21.6	7.9	23
BB-9	1/2" NPT female x 3/4" BSP male	1900 psi	2800 psi	39	15.7	32	11.9	35
BB-10	3/4" BSP female x 1/4" BSP male	1800 psi	2800 psi	37	11.2	18	5.8	23
BB-11	3/4" BSP female x 3/8" BSP male	1800 psi	2800 psi	37	11.2	21.6	7.9	23
BB-12	3/4" BSP female x 1/2" BSP male	1800 psi	2800 psi	40	14.2	25.9	11.9	27

unit=in(mm)