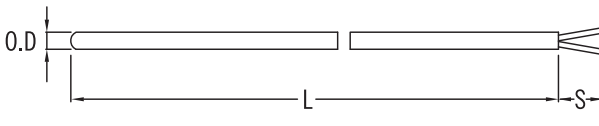

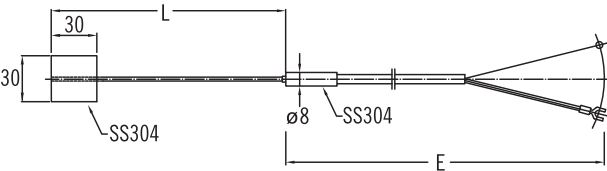
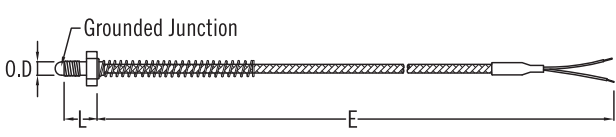
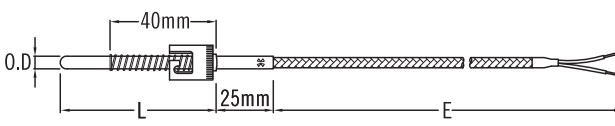
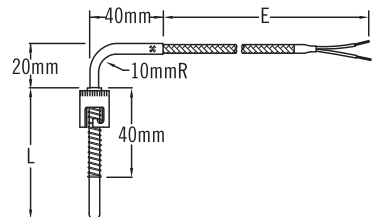
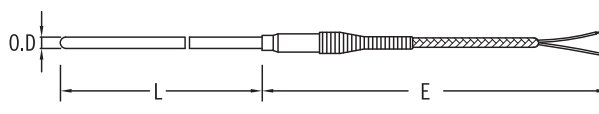
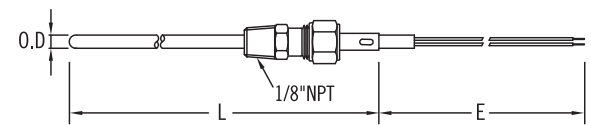

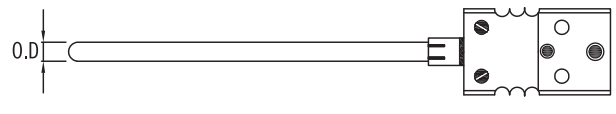
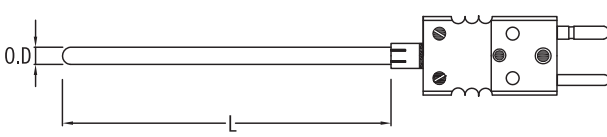
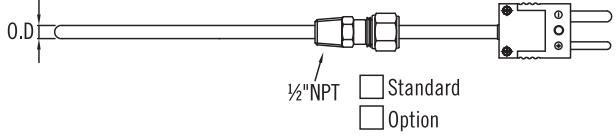
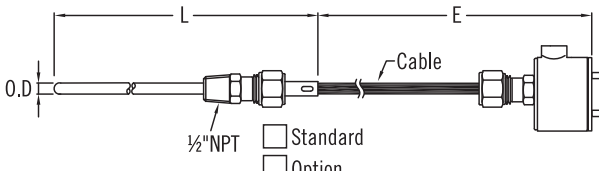
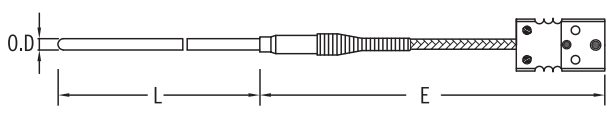


GENERAL THERMOCOUPLE

WWW.NEW-FLOW.COM • TEL: 886-7-8135500 • FAX: 886-7-8225588 • Email: info@new-flow.com

<p>GTA</p> 	<p>GTB</p> 
<p>GTC</p> 	<p>GTD</p> 
<p>GTE</p> 	<p>GTF</p> 
<p>GTG</p> 	<p>GTH</p> 
<p>GTI</p> 	<p>GTJ</p> 
<p>GTK</p> 	<p>GTL</p> 
<p>GTM</p> 	<p>GTN</p> 

Ordering Information

Model	GTA	GTB	GTC	GTD	GTE	GTF	GTG	GTH	GTI	GTJ	GTK	GTL	GTM	GTN	
<div style="display: flex; flex-direction: column; align-items: center;"> <div style="margin-bottom: 10px;">↓</div> <div style="margin-bottom: 10px;">↓</div> <div style="margin-bottom: 10px;">↓</div> <div style="margin-bottom: 10px;">↓</div> <div style="margin-bottom: 10px;">↓</div> <div style="margin-bottom: 10px;">↓</div> <div style="margin-bottom: 10px;">↓</div> <div style="margin-bottom: 10px;">↓</div> <div style="margin-bottom: 10px;">↓</div> <div style="margin-bottom: 10px;">↓</div> <div style="margin-bottom: 10px;">↓</div> <div style="margin-bottom: 10px;">↓</div> </div>	Code	Sensor Dimensions "O.D" mm													
		(1) 1.0 (2) 1.6 (3) 3.2 (4) 4.8 (5) 6.4 (6) 8.0 (0) option													
	Code	Sheath Material													
	A	SS316			B	SS310			C	Inconel 600			0	Option	
	Code	Element Type													
		N	K	E	J	T									
	Code	Element No													
	S	Single				D	Double								
	Code	Measuring Junction													
	G	Grounded type													
	U	Ungrounded type													
	US	Ungrounded separated type													
Code	Sensor Class														
	(1) Class 1 (2) Class 2 (3) Class 3														
Code	Sensor Insertion length "L"														
	Please directly fill in requesting length (mm).														
Code	Lead Wire Length "E"														
	Please directly fill in requesting length (mm).														
														Complete Ordering Code	