

# FULL BORE SAFETY VALVES N2-LP

## Technical Data

### Low Lift Safety Valves

**Material:** Body– Cast Bronze; Valve Seat– Forging Brass Seat, PTFE Soft Seat available

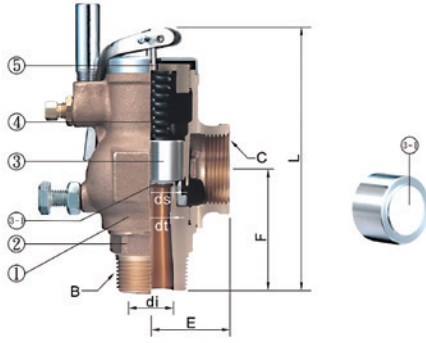
**Orifice Size:** 1”(25mm), 1¼”(32mm)

**Working Pressure:** 2~13 kgf/cm<sup>2</sup> (30~185 psig)

**Working Temperature:** -45°C~+185°C

**Working Fluid:** Please refer to the table of “General Material List”

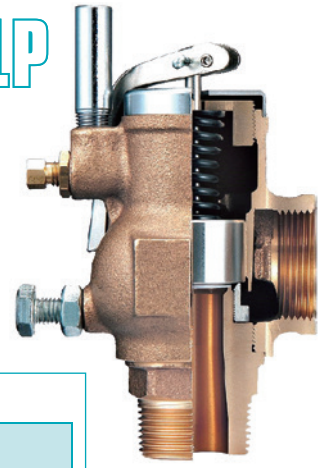
## Dimensions-mm



N2-LP Type  
Lever 1”~1¼”

## General Material List

| NO.              | Parts Name | Type | N2-LP LEVER                         |
|------------------|------------|------|-------------------------------------|
| 1.               | Valve Body |      | Cast Bronze                         |
| 2.               | Valve Seat |      | Forging Brass Seat / PTFE Soft Seat |
| 3.               | Disc       |      | SUS304                              |
| 3-1.             | Soft Seal  |      | Teflon (PTFE)                       |
| 4.               | Spring     |      | Steel                               |
| 5.               | Stem       |      | SUS304                              |
| Working Pressure |            |      | 2~13 kgf/cm <sup>2</sup>            |
| Working Temp.    |            |      | -45~185°C                           |
| Working Fluid    |            |      | Noncorrosive Gas, Air, Steam        |



Soft Seal

### LEVER SERIES

| ITEM SIZE | L   | Inlet B | Outlet C | Inlet Orifice di | Throat Orifice dt | Valve Seat Orifice ds | Effective Discharge Areat mm <sup>2</sup> | E  | F  | Lift | Wt. Kg |
|-----------|-----|---------|----------|------------------|-------------------|-----------------------|-------------------------------------------|----|----|------|--------|
| 1” x 1¼”  | 151 | 1”      | 1¼”      | 25               | 21                | 24.15                 | 346.36                                    | 45 | 71 | 4.8  | 2      |
| 1¼” x 1¼” | 151 | 1¼”     | 1¼”      | 25               | 21                | 24.15                 | 346.36                                    | 45 | 71 | 4.8  | 2      |

## Blowout Capacity Table

### – Air

| orifice set press.     | Air Blowout Capacity (kg/h) |          |
|------------------------|-----------------------------|----------|
|                        | 1” (25)                     | 1¼” (32) |
| 1 kgf/cm <sup>2</sup>  | 456                         | 456      |
| 2 kgf/cm <sup>2</sup>  | 695                         | 695      |
| 3 kgf/cm <sup>2</sup>  | 933                         | 933      |
| 4 kgf/cm <sup>2</sup>  | 1172                        | 1172     |
| 5 kgf/cm <sup>2</sup>  | 1411                        | 1411     |
| 6 kgf/cm <sup>2</sup>  | 1650                        | 1650     |
| 7 kgf/cm <sup>2</sup>  | 1889                        | 1889     |
| 8 kgf/cm <sup>2</sup>  | 2127                        | 2127     |
| 9 kgf/cm <sup>2</sup>  | 2366                        | 2366     |
| 10 kgf/cm <sup>2</sup> | 2605                        | 2605     |
| 11 kgf/cm <sup>2</sup> | 2844                        | 2844     |
| 12 kgf/cm <sup>2</sup> | 3083                        | 3083     |
| 13 kgf/cm <sup>2</sup> | 3321                        | 3321     |

### – Steam

| orifice set press.     | Steam Blowout Capacity (kg/h) |          |
|------------------------|-------------------------------|----------|
|                        | 1” (25)                       | 1¼” (32) |
| 1 kgf/cm <sup>2</sup>  | 281                           | 281      |
| 2 kgf/cm <sup>2</sup>  | 424                           | 424      |
| 3 kgf/cm <sup>2</sup>  | 567                           | 567      |
| 4 kgf/cm <sup>2</sup>  | 709                           | 709      |
| 5 kgf/cm <sup>2</sup>  | 852                           | 852      |
| 6 kgf/cm <sup>2</sup>  | 995                           | 995      |
| 7 kgf/cm <sup>2</sup>  | 1138                          | 1138     |
| 8 kgf/cm <sup>2</sup>  | 1280                          | 1280     |
| 9 kgf/cm <sup>2</sup>  | 1423                          | 1423     |
| 10 kgf/cm <sup>2</sup> | 1566                          | 1566     |
| 11 kgf/cm <sup>2</sup> | 1709                          | 1709     |
| 12 kgf/cm <sup>2</sup> | 1851                          | 1851     |
| 13 kgf/cm <sup>2</sup> | 1994                          | 1994     |

## Ordering Information

| N2-LP                  | Code                       | Valve Seat                             |                        |
|------------------------|----------------------------|----------------------------------------|------------------------|
| ↓                      | O                          | Forging Brass                          | P Forging Brass + PTFE |
|                        |                            | Code Pressure Rating                   |                        |
|                        | 1A                         | 2~13 kgf/cm <sup>2</sup>               |                        |
|                        |                            | Code Size [Female inlet x Male outlet] |                        |
|                        | (A) 1” x 1¼” (B) 1¼” x 1¼” |                                        |                        |
| Complete Ordering Code |                            |                                        |                        |