

PIS5000X

# PRESSURE GAUGE WITH MICRO SWITCH EXPLOSION PROOF TYPE

PIS5000X

**Explosion Proof Type  
Micro Switch  
Measuring Range: (-1)~2500 kg/cm<sup>2</sup> Available**

## Technical Data

**Material:** Bourdon tube SS316; Wetted parts SS316  
**Housing:** Die cast aluminum alloy, and SS316 available  
**Dial:** ø6"  
**Process Connection:** 3/8", 1/2" NPT male; option with adaptor available  
**Electronic Connection:** 1/2" or 3/4" NPT, G female thread, or M20xP1.5, M25xP1.5 available  
**Accuracy:** Gauge indication ±1.0% F.S  
**Pressure Limited:** Over range protected 130% of full scale range  
**Switch Form:** One setting point: SPDT x 1 or Two setting points: SPDT x 2 available  
**NOTE:** Negative pressure only 「one setting point」 available.

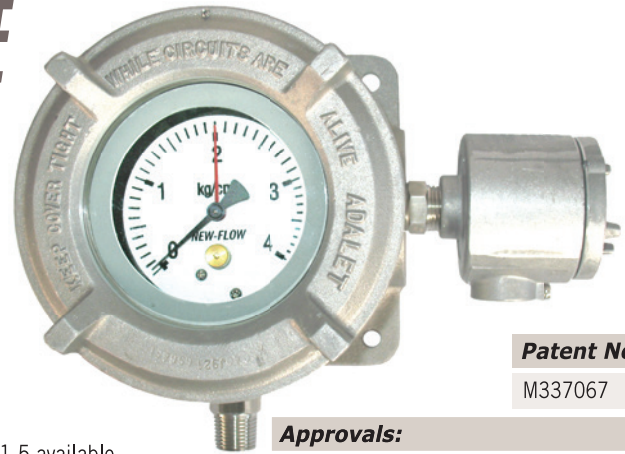
**Set Point:** Full scale range available  
**Switch Dead Band:** Please check the *Range Selection Table* for SPDT x 1 & SPDT x 2  
**Switch Data:**

	AC Load	DC Load
Nominal Operating Voltage	250 VAC max.	28 VDC max.
Current	5A max.	5A max. (ohmic load) 3A max. (inductive load)
Contact Material	Pure silver 999.9	Pure silver 999.9
Ambient Temperature	-20°C~+70°C	-20°C~+70°C

## Range Selection Table – KG/CM<sup>2</sup>

Code	Range	Dead Band		Code	Range	Dead Band	
		SPDTx1	SPDTx2			SPDTx1	SPDTx2
000	0~(-1)	±2.5%		009	0~25	±2%	±2%
001	0~1	±2%	±5%	010	0~40	±2%	±2%
002	0~1.6	±2%	±4%	011	0~60	±2%	±2%
003	0~2.5	±2%	±4%	012	0~100	±2%	±2%
004	0~4	±2%	±4%	013	0~160	±2%	±2%
005	0~6	±2%	±2%	014	0~250	±2%	±2%
006	0~10	±2%	±2%	015	0~400	±2%	±2%
007	0~16	±2%	±2%	016	Optional		
008	0~20	±2%	±2%				

• Scale Unit: MPa, Kg/Cm<sup>2</sup>, Bar available  
 • 1 bar= 0.1 MPa, 1 bar= 1.01972 kg/cm<sup>2</sup>,  
 1 Pa= 1 x 10<sup>-6</sup> MPa, 1 MPa= 10.197 kg/cm<sup>2</sup>  
 • Negative pressure only "one setting point" available.



**Patent No.**  
M337067

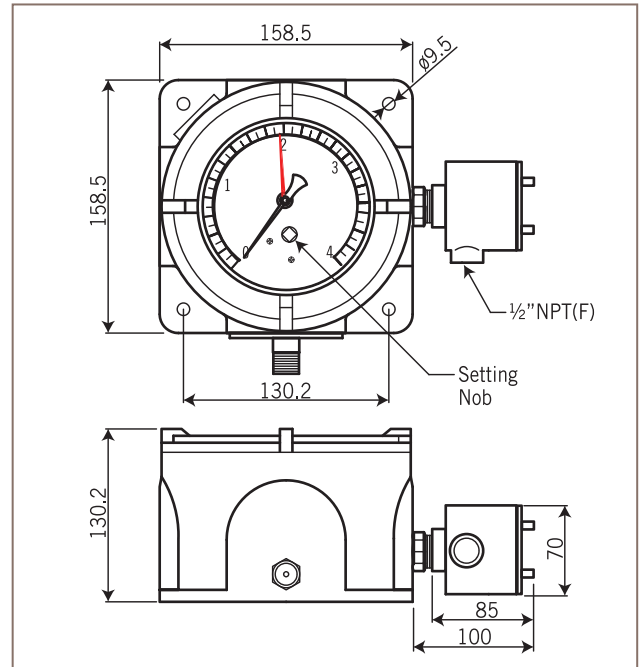
## Approvals:



Switches with UL & CSA  
Recognized and File No.  
E12252.

TD0400TJ  
工電(2016)第00133號  
(ITRI)2018第07-00017號

## Dimensions-mm



## Ordering Information

PIS5000X	Code	Process Connection	Code	Explosion Proof Type / Housing Material
		(1) 3/8" NPT male (2) 1/2" NPT male (3) option	A	Certificate on Housing Only / Aluminum alloy Class I, Groups B, C & D; Class II, Groups E, F & G; NEMA 4,7,9
		<b>Code</b> Conduit Connection (Female)	B	Taiwan Explosion Proof Certification / Aluminum alloy Ex d IIB + H2 T6 Gb
		(A) 1/2" NPT (B) 3/4" NPT (C) G1/2" (D) G3/4"	B1	Taiwan Explosion Proof Certification / SS316 Ex d IIB + H2 T6 Gb
		(E) M20 x P1.5 (F) M25 x P1.5 (O) Option		<b>Code</b> Switch Rating
		<b>Code</b> Wetted Parts Material		5A / 250VAC
		S SS316		5A / 28VDC
		<b>Code</b> Switch Function		3A / 28VDC
		1 One setting point SPDT x 1		
		2 Two setting point SPDT x 2		
		<b>Code</b> Measuring Range		
		Please refer to the selection table and fill in the request range.		
PIS5000X				Complete Ordering Code

WWW.NEW-FLOW.COM • TEL: 886-7-8135500 • FAX: 886-7-8225588 • Email: info@new-flow.com