

ACCESSORIES OF THREAD ADAPTERS

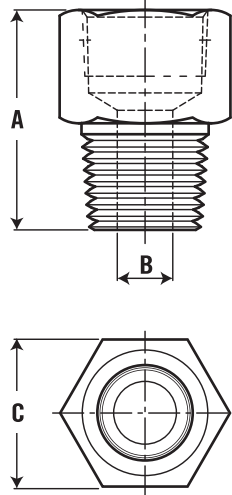
Approvals:



NN & BN Type – Reducing Adapter



A. NN Type – Thread NPT to Thread NPT

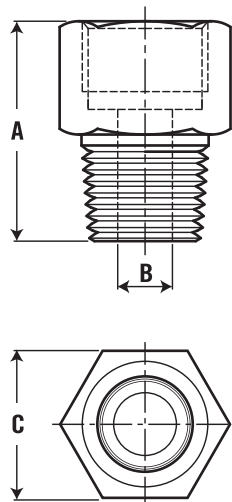


Ordering Information & Dimensions

Ordering Code	Connection Size	Max. Pressure Rating at 25°C		A	B	C
		SS316L	Brass			
NN-1	1/8" NPT female x 1/4" NPT male	5800 psi	2800 psi	31	4.2	23
NN-2	1/8" NPT female x 3/8" NPT male	5800 psi	2800 psi	32	4.2	23
NN-3	1/8" NPT female x 1/2" NPT male	5800 psi	2800 psi	36	4.8	23
NN-4	1/8" NPT female x 3/4" NPT male	5800 psi	2800 psi	36	4.8	29
NN-5	1/4" NPT female x 1/8" NPT male	5900 psi	2900 psi	30	4.8	23
NN-6	1/4" NPT female x 3/8" NPT male	5900 psi	2900 psi	34	7.1	23
NN-7	1/4" NPT female x 1/2" NPT male	5900 psi	2900 psi	38	7.1	23
NN-8	1/4" NPT female x 3/4" NPT male	5900 psi	2900 psi	38	7.1	29
NN-9	3/8" NPT female x 1/8" NPT male	4700 psi	2300 psi	32	4.8	23
NN-10	3/8" NPT female x 1/4" NPT male	4700 psi	2300 psi	34	7.1	23
NN-11	3/8" NPT female x 1/2" NPT male	4700 psi	2300 psi	41	9.6	23
NN-12	3/8" NPT female x 3/4" NPT male	4700 psi	2300 psi	41	9.6	29
NN-13	1/2" NPT female x 1/8" NPT male	4400 psi	2100 psi	36	4.8	27
NN-14	1/2" NPT female x 1/4" NPT male	4400 psi	2100 psi	38	7.1	27
NN-15	1/2" NPT female x 3/8" NPT male	4400 psi	2100 psi	40	9.6	27
NN-16	1/2" NPT female x 1/2" NPT male	4400 psi	2100 psi	45	11.9	29
NN-17	3/4" NPT female x 1/8" NPT male	4100 psi	2000 psi	36	4.8	35
NN-18	3/4" NPT female x 1/4" NPT male	4100 psi	2000 psi	39	7.1	35
NN-19	3/4" NPT female x 3/8" NPT male	4100 psi	2000 psi	41	9.6	35
NN-20	3/4" NPT female x 1/2" NPT male	4100 psi	2000 psi	45	14	35

unit=in(mm)

B. BN Type – Thread BSPP (ISO228) to Thread NPT



Ordering Information & Dimensions

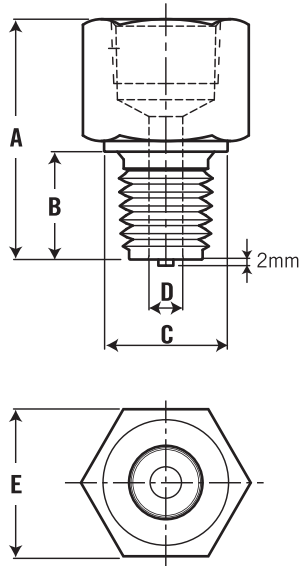
Ordering Code	Connection Size	Max. Pressure Rating at 25°C		A	B	C
		SS316L	Brass			
BN-1	1/4" BSPP female x 1/8" NPT male	5300 psi	2600 psi	31	4.1	23
BN-2	1/4" BSPP female x 3/8" NPT male	5300 psi	2600 psi	35	5.8	23
BN-3	1/4" BSPP female x 1/2" NPT male	5300 psi	2600 psi	39	5.8	23
BN-4	1/4" BSPP female x 3/4" NPT male	5300 psi	2600 psi	39	5.8	29
BN-5	3/8" BSPP female x 1/8" NPT male	4200 psi	2100 psi	31	4.1	23
BN-6	3/8" BSPP female x 1/4" NPT male	4200 psi	2100 psi	34	5.8	23
BN-7	3/8" BSPP female x 1/2" NPT male	4200 psi	2100 psi	39	7.9	23
BN-8	3/8" BSPP female x 3/4" NPT male	4200 psi	2100 psi	39	7.9	29
BN-9	1/2" BSPP female x 1/8" NPT male	3900 psi	1900 psi	35	4.1	27
BN-10	1/2" BSPP female x 1/4" NPT male	3900 psi	1900 psi	38	5.8	27
BN-11	1/2" BSPP female x 3/8" NPT male	3900 psi	1900 psi	39	7.9	27
BN-12	1/2" BSPP female x 1/2" NPT male	3900 psi	1900 psi	42	7.9	27
BN-13	1/2" BSPP female x 3/4" NPT male	3900 psi	1900 psi	42	11.9	29
BN-14	3/4" BSPP female x 1/8" NPT male	3700 psi	1800 psi	36	4.1	35
BN-15	3/4" BSPP female x 1/4" NPT male	3700 psi	1800 psi	39	5.8	35
BN-16	3/4" BSPP female x 3/8" NPT male	3700 psi	1800 psi	40	7.9	35
BN-17	3/4" BSPP female x 1/2" NPT male	3700 psi	1800 psi	44	11.9	35

unit=in(mm)

NB & BB Type – Reducing Adapter



A. NB Type – Thread NPT to Thread BSPP (ISO228)

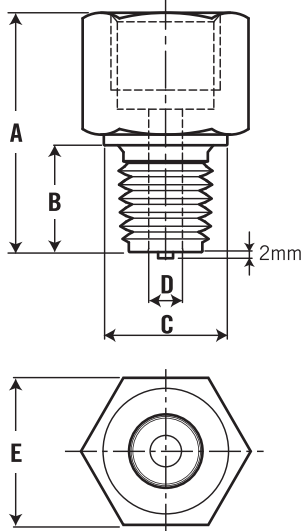


Ordering Information & Dimensions

Ordering Code	Connection Size	Max. Pressure Rating at 25°C		A	B	C	D	E
		SS316L	Brass					
NB-1	1/8" NPT female x 1/4" BSPP male	5800 psi	2800 psi	34	17	18	3.5	23
NB-2	1/8" NPT female x 3/8" BSPP male	5800 psi	2800 psi	34	17	21.6	3.5	23
NB-3	1/8" NPT female x 1/2" BSPP male	5800 psi	2800 psi	36	20	25.9	3.5	27
NB-4	1/8" NPT female x 3/4" BSPP male	5800 psi	2800 psi	36	22	32	3.5	35
NB-5	1/4" NPT female x 1/4" BSPP male	5900 psi	2900 psi	36	17	18	3.5	23
NB-6	1/4" NPT female x 3/8" BSPP male	5900 psi	2900 psi	36	17	21.6	3.5	23
NB-7	1/4" NPT female x 1/2" BSPP male	5900 psi	2900 psi	39	20	25.9	3.5	27
NB-8	1/4" NPT female x 3/4" BSPP male	5900 psi	2900 psi	39	22	32	3.5	35
NB-9	3/8" NPT female x 1/4" BSPP male	4700 psi	2300 psi	37	17	18	3.5	23
NB-10	3/8" NPT female x 3/8" BSPP male	4700 psi	2300 psi	37	17	21.6	3.5	23
NB-11	3/8" NPT female x 1/2" BSPP male	4700 psi	2300 psi	41	20	25.9	3.5	27
NB-12	3/8" NPT female x 3/4" BSPP male	4700 psi	2300 psi	41	22	32	3.5	35
NB-13	1/2" NPT female x 1/4" BSPP male	4400 psi	2100 psi	41	17	18	3.5	23
NB-14	1/2" NPT female x 3/8" BSPP male	4400 psi	2100 psi	41	17	21.6	3.5	27
NB-15	1/2" NPT female x 1/2" BSPP male	4400 psi	2100 psi	45	20	25.9	3.5	27
NB-16	1/2" NPT female x 3/4" BSPP male	4400 psi	2100 psi	45	22	32	3.5	35
NB-17	3/4" NPT female x 1/4" BSPP male	4100 psi	2000 psi	42	17	18	3.5	35
NB-18	3/4" NPT female x 3/8" BSPP male	4100 psi	2000 psi	42	17	21.6	3.5	35
NB-19	3/4" NPT female x 1/2" BSPP male	4100 psi	2000 psi	45	20	25.9	3.5	35
NB-20	3/4" NPT female x 3/4" BSPP male	4100 psi	2000 psi	47	22	32	3.5	35

unit=in(mm)

B. BB Type – Thread BSPP (ISO228) to Thread BSPP (ISO228)



Ordering Information & Dimensions

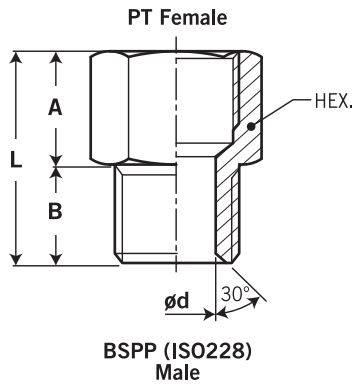
Ordering Code	Connection Size	Max. Pressure Rating at 25°C		A	B	C	D	E
		SS316L	Brass					
BB-1	1/4" BSPP female x 3/8" BSPP male	2600 psi	2800 psi	37	17	21.6	3.5	23
BB-2	1/4" BSPP female x 1/2" BSPP male	2600 psi	2800 psi	35	20	25.9	3.5	27
BB-3	1/4" BSPP female x 3/4" BSPP male	2600 psi	2800 psi	36	22	32	3.5	35
BB-4	3/8" BSPP female x 1/4" BSPP male	2100 psi	2800 psi	37	17	18	3.5	23
BB-5	3/8" BSPP female x 1/2" BSPP male	2100 psi	2800 psi	40	20	25.9	3.5	27
BB-6	3/8" BSPP female x 3/4" BSPP male	2100 psi	2800 psi	42	22	32	3.5	35
BB-7	1/2" BSPP female x 1/4" BSPP male	1900 psi	2800 psi	40	17	18	3.5	23
BB-8	1/2" BSPP female x 3/8" BSPP male	1900 psi	2800 psi	43	20	21.6	3.5	27
BB-9	1/2" BSPP female x 1/2" BSPP male	1900 psi	2800 psi	45	22	32	3.5	35
BB-10	3/4" BSPP female x 1/4" BSPP male	1800 psi	2800 psi	43	17	18	3.5	35
BB-11	3/4" BSPP female x 3/8" BSPP male	1800 psi	2800 psi	43	17	21.6	3.5	35
BB-12	3/4" BSPP female x 1/2" BSPP male	1800 psi	2800 psi	46	20	25.9	3.5	35

unit=in(mm)

SB07 Type – Straight Adapter

► Thread PT to Thread BSPP (ISO228) [Female to Male]

SB07-S Type (Same Diameter)

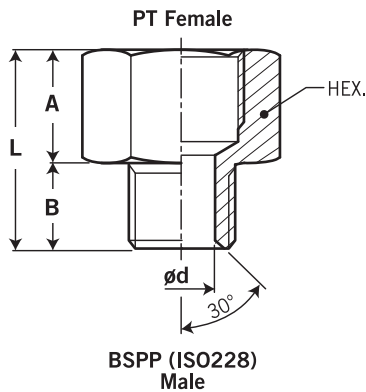


Ordering Information & Dimensions Data:

unit=mm

CONNECTION SIZE (Female to Male)	DIMENSIONS					MATERIAL	ORDERING CODE
	A	B	ød	L	HEX.		
Rc1/8" x G1/8"	15	11	3.0	26	14	SS316L	SB07-S-1PT-1G
Rc1/4" x G1/4"	17	13	5.5	30	19	SS316L	SB07-S-2PT-2G
Rc3/8" x G3/8"	19	15	7.0	34	22	SS316L	SB07-S-3PT-3G
Rc1/2" x G1/2"	22	18	10.0	40	27	SS316L	SB07-S-4PT-4G
Rc3/4" x G3/4"	25	20	16.0	45	36	SS316L	SB07-S-6PT-6G
Rc1" x G1"	27	22	22.0	49	41	SS316L	SB07-S-25PT-25G
Rc1 1/4" x G1 1/4"	30	24	28.0	54	50	SS316L	SB07-S-32PT-32G
Rc1 1/2" x G1 1/2"	30	24	34.0	54	60	SS316L	SB07-S-40PT-40G
Rc2" x G2"	36	28	45.0	64	70	SS316L	SB07-S-50PT-50G
Rc2 1/2" x G2 1/2"	42	33	56.0	75	90	SS316L	SB07-S-65PT-65G

SB07-DS Type (Different Diameter)

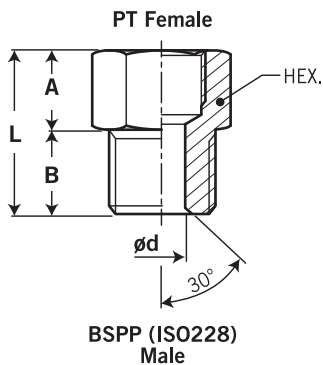


Ordering Information & Dimensions Data:

unit=mm

CONNECTION SIZE (Female to Male)	DIMENSIONS					MATERIAL	ORDERING CODE
	A	B	ød	L	HEX.		
Rc1/4" x G1/8"	17	11	4.0	28	19	SS316L	SB07-DS-2PT-1G
Rc3/8" x G1/4"	19	13	5.5	32	22	SS316L	SB07-DS-3PT-2G
Rc1/2" x G3/8"	22	15	7.0	37	27	SS316L	SB07-DS-4PT-3G
Rc3/4" x G1/2"	25	18	10.0	43	36	SS316L	SB07-DS-6PT-4G
Rc1" x G3/4"	27	20	16.0	47	41	SS316L	SB07-DS-25PT-6G
Rc1 1/4" x G1"	30	22	22.0	52	50	SS316L	SB07-DS-32PT-25G
Rc1 1/2" x G1 1/4"	30	24	28.0	54	60	SS316L	SB07-DS-40PT-32G
Rc2" x G1 1/2"	36	24	34.0	60	70	SS316L	SB07-DS-50PT-40G

SB07-DL Type (Different Diameter)



Ordering Information & Dimensions Data:

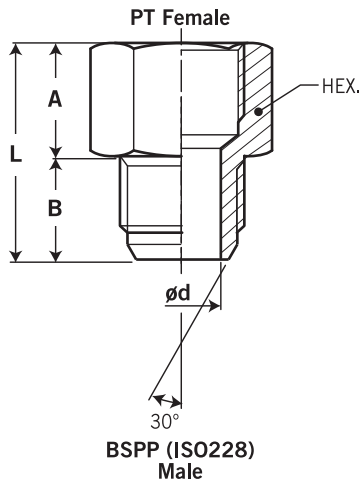
unit=mm

CONNECTION SIZE (Female to Male)	DIMENSIONS					MATERIAL	ORDERING CODE
	A	B	ød	L	HEX.		
Rc1/8" x G1/4"	14	13	5.5	27	19	SS316L	SB07-DL-1PT-2G
Rc1/4" x G3/8"	17	15	7.0	32	22	SS316L	SB07-DL-2PT-3G
Rc3/8" x G1/2"	19	18	10.0	37	27	SS316L	SB07-DL-3PT-4G
Rc1/2" x G3/4"	22	20	16.0	42	32	SS316L	SB07-DL-4PT-3G
Rc3/4" x G1"	27	22	22.0	49	36	SS316L	SB07-DL-6PT-25G
Rc1" x G1 1/4"	27	24	28.0	51	50	SS316L	SB07-DL-25PT-32G
Rc1 1/4" x G1 1/2"	30	24	34.0	54	50	SS316L	SB07-DL-32PT-40G
Rc1 1/2" x G2"	30	28	45.0	58	60	SS316L	SB07-DL-40PT-50G

SB17 Type – Straight Adapter

► **Thread PT to Thread BSPP (ISO228) [Female to Male]**

**SB17-S Type
(Same Diameter)**

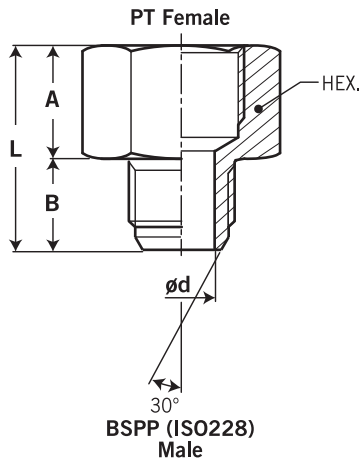


Ordering Information & Dimensions Data:

unit=mm

CONNECTION SIZE (Female to Male)	DIMENSIONS					MATERIAL	ORDERING CODE
	A	B	ϕd	L	HEX.		
Rc1/8" x G1/8"	15	13.0	3.0	28.0	14	SS316L	SB17-S-1PT-1G
Rc1/4" x G1/4"	17	16.0	5.5	33.0	19	SS316L	SB17-S-2PT-2G
Rc3/8" x G3/8"	19	17.5	7.0	36.5	22	SS316L	SB17-S-3PT-3G
Rc1/2" x G1/2"	22	20.0	10.0	42.0	27	SS316L	SB17-S-4PT-4G
Rc3/4" x G3/4"	25	21.5	16.0	46.5	36	SS316L	SB17-S-6PT-6G
Rc1" x G1"	27	22.5	22.0	49.5	41	SS316L	SB17-S-25PT-25G
Rc1 1/4" x G1 1/4"	30	27.0	28.0	57.0	50	SS316L	SB17-S-32PT-32G
Rc1 1/2" x G1 1/2"	30	27.0	34.0	57.0	60	SS316L	SB17-S-40PT-40G
Rc2" x G2"	36	30.0	45.0	66.0	70	SS316L	SB17-S-50PT-50G
Rc2 1/2" x G2 1/2"	42	43.0	56.0	85.0	90	SS316L	SB17-S-65PT-65G

**SB17-DS Type
(Different Diameter)**

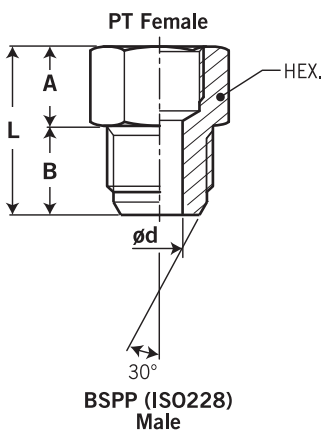


Ordering Information & Dimensions Data:

unit=mm

CONNECTION SIZE (Female to Male)	DIMENSIONS					MATERIAL	ORDERING CODE
	A	B	ϕd	L	HEX.		
Rc1/4" x G1/8"	17	13.0	4.0	30.0	19	SS316L	SB17-DS-2PT-1G
Rc3/8" x G1/4"	19	16.0	5.5	35.0	22	SS316L	SB17-DS-3PT-2G
Rc1/2" x G3/8"	22	17.5	7.0	39.5	27	SS316L	SB17-DS-4PT-3G
Rc3/4" x G1/2"	25	20.0	10.0	45.0	36	SS316L	SB17-DS-6PT-4G
Rc1" x G3/4"	27	21.5	16.0	48.5	41	SS316L	SB17-DS-25PT-6G
Rc1 1/4" x G1"	30	22.5	22.0	52.5	50	SS316L	SB17-DS-32PT-25G
Rc1 1/2" x G1 1/4"	30	27.0	28.0	57.0	60	SS316L	SB17-DS-40PT-32G
Rc2" x G1 1/2"	36	27.0	34.0	63.0	70	SS316L	SB17-DS-50PT-40G

**SB17-DL Type
(Different Diameter)**



Ordering Information & Dimensions Data:

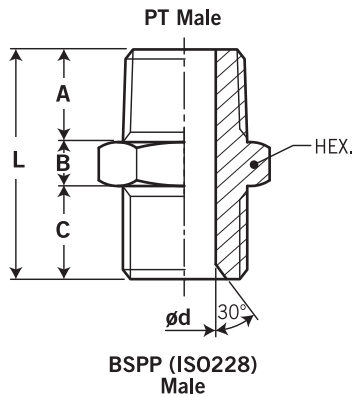
unit=mm

CONNECTION SIZE (Female to Male)	DIMENSIONS					MATERIAL	ORDERING CODE
	A	B	ϕd	L	HEX.		
Rc1/8" x G1/4"	14	16.0	5.5	30.0	19	SS316L	SB17-DL-1PT-2G
Rc1/4" x G3/8"	17	17.5	7.0	34.0	22	SS316L	SB17-DL-2PT-3G
Rc3/8" x G1/2"	19	20.0	10.0	39.5	27	SS316L	SB17-DL-3PT-4G
Rc1/2" x G3/4"	22	21.5	16.0	43.5	32	SS316L	SB17-DL-4PT-3G
Rc3/4" x G1"	25	22.5	22.0	47.5	36	SS316L	SB17-DL-6PT-25G
Rc1" x G1 1/4"	27	27.0	28.0	54.0	50	SS316L	SB17-DL-25PT-32G
Rc1 1/4" x G1 1/2"	30	27.0	34.0	57.0	50	SS316L	SB17-DL-32PT-40G
Rc1 1/2" x G2"	30	30.0	45.0	60.0	60	SS316L	SB17-DL-40PT-50G

SM09 Type – Straight Adapter

► Thread PT to Thread BSPP (ISO228) [Male to Male]

SM09-S Type (Same Diameter)

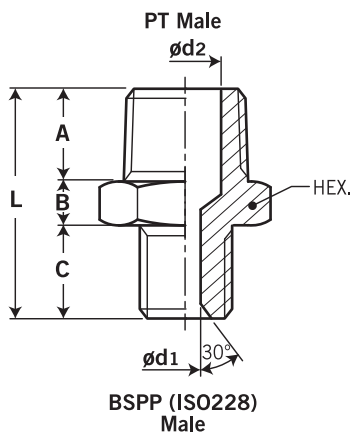


Ordering Information & Dimensions Data:

unit=mm

CONNECTION SIZE (Male to Male)	DIMENSIONS						MATERIAL	ORDERING CODE	
	A	B	C	ϕd	L	HEX.			
						SUS			SS
R $\frac{1}{8}$ " x G $\frac{1}{8}$ "	10	6	11	4.0	27	14	SS316L	SM09-S-1PT-1G	
R $\frac{1}{4}$ " x G $\frac{1}{4}$ "	13	8	13	5.5	34	19	SS316L	SM09-S-2PT-2G	
R $\frac{3}{8}$ " x G $\frac{3}{8}$ "	15	8	15	7.0	38	22	SS316L	SM09-S-3PT-3G	
R $\frac{1}{2}$ " x G $\frac{1}{2}$ "	18	10	18	10.0	46	27	SS316L	SM09-S-4PT-4G	
R $\frac{3}{4}$ " x G $\frac{3}{4}$ "	20	12	20	16.0	52	36	SS316L	SM09-S-6PT-6G	
R1" x G1"	22	12	22	22.0	56	41	SS316L	SM09-S-25PT-25G	
R1 $\frac{1}{4}$ " x G1 $\frac{1}{4}$ "	25	14	24	28.0	63	50	SS316L	SM09-S-32PT-32G	
R1 $\frac{1}{2}$ " x G1 $\frac{1}{2}$ "	25	14	24	34.0	63	60	SS316L	SM09-S-40PT-40G	
R2" x G2"	30	17	28	45.0	75	70	SS316L	SM09-S-50PT-50G	
R2 $\frac{1}{2}$ " x G2 $\frac{1}{2}$ "	33	17	33	56.0	83	80	SS316L	SM09-S-65PT-65G	
R3" x G3"	38	18	34	68.0	90	90	SS316L	SM09-S-80PT-80G	
R4" x G4"	45	22	45	88.0	112	120	SS316L	SM09-S-100PT-100G	

SM09-DS Type (Different Diameter)

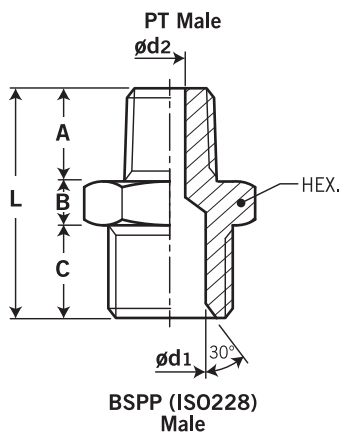


Ordering Information & Dimensions Data:

unit=mm

CONNECTION SIZE (Male to Male)	DIMENSIONS								MATERIAL	ORDERING CODE
	A	B	C	$\phi d1$	$\phi d2$	L	HEX.			
R $\frac{1}{4}$ " x G $\frac{1}{8}$ "	13	8	11	4.0	5.5	32	14	SS316L	SM09-DS-2PT-1G	
R $\frac{3}{8}$ " x G $\frac{1}{8}$ "	15	8	11	4.0	7.0	34	19	SS316L	SM09-DS-3PT-1G	
R $\frac{3}{8}$ " x G $\frac{1}{4}$ "	15	8	13	5.5	7.0	36	19	SS316L	SM09-DS-3PT-2G	
R $\frac{1}{2}$ " x G $\frac{1}{4}$ "	18	8	13	5.5	10.0	39	22	SS316L	SM09-DS-4PT-2G	
R $\frac{1}{2}$ " x G $\frac{3}{8}$ "	18	10	15	7.0	10.0	43	22	SS316L	SM09-DS-4PT-3G	
R $\frac{3}{4}$ " x G $\frac{3}{8}$ "	20	12	15	7.0	16.0	47	27	SS316L	SM09-DS-6PT-3G	
R $\frac{3}{4}$ " x G $\frac{1}{2}$ "	20	10	18	10.0	16.0	48	27	SS316L	SM09-DS-6PT-4G	
R1" x G $\frac{1}{2}$ "	22	12	18	10.0	22.0	52	36	SS316L	SM09-DS-25PT-4G	
R1" x G $\frac{3}{4}$ "	22	12	20	16.0	22.0	54	36	SS316L	SM09-DS-25PT-6G	
R1 $\frac{1}{4}$ " x G1"	25	14	22	22.0	28.0	61	46	SS316L	SM09-DS-32PT-25G	
R1 $\frac{1}{2}$ " x G1 $\frac{1}{4}$ "	25	14	24	28.0	28.0	63	50	SS316L	SM09-DS-40PT-32G	
R2" x G1 $\frac{1}{2}$ "	30	14	24	33.0	33.0	68	60	SS316L	SM09-DS-50PT-40G	

SM09-DL Type (Different Diameter)



Ordering Information & Dimensions Data:

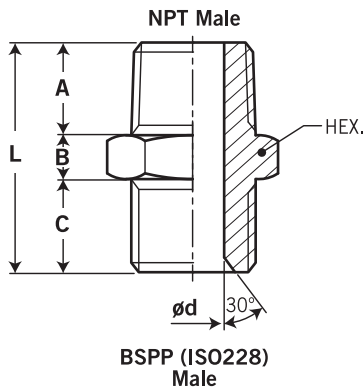
unit=mm

CONNECTION SIZE (Male to Male)	DIMENSIONS								MATERIAL	ORDERING CODE
	A	B	C	$\phi d1$	$\phi d2$	L	HEX.			
R $\frac{1}{8}$ " x G $\frac{1}{4}$ "	10	8	13	5.5	4.0	31	19	SS316L	SM09-DL-1PT-2G	
R $\frac{1}{8}$ " x G $\frac{3}{8}$ "	10	8	15	7.0	4.0	33	19	SS316L	SM09-DL-1PT-3G	
R $\frac{1}{4}$ " x G $\frac{3}{8}$ "	13	8	15	7.0	5.5	36	22	SS316L	SM09-DL-2PT-3G	
R $\frac{1}{4}$ " x G $\frac{1}{2}$ "	13	10	18	10.0	5.5	41	22	SS316L	SM09-DL-2PT-4G	
R $\frac{3}{8}$ " x G $\frac{1}{2}$ "	15	10	18	10.0	7.0	43	27	SS316L	SM09-DL-3PT-4G	
R $\frac{3}{8}$ " x G $\frac{3}{4}$ "	15	10	20	16.0	7.0	45	27	SS316L	SM09-DL-3PT-6G	
R $\frac{1}{2}$ " x G $\frac{3}{4}$ "	18	12	20	16.0	10.0	50	32	SS316L	SM09-DL-4PT-6G	
R $\frac{1}{2}$ " x G1"	18	12	22	22.0	10.0	52	36	SS316L	SM09-DL-4PT-25G	
R $\frac{3}{4}$ " x G1"	20	12	22	22.0	16.0	54	38	SS316L	SM09-DL-6PT-25G	
R1" x G1 $\frac{1}{4}$ "	22	14	24	28.0	22.0	60	46	SS316L	SM09-DL-25PT-32G	
R1 $\frac{1}{4}$ " x G1 $\frac{1}{2}$ "	25	14	24	28.0	28.0	63	50	SS316L	SM09-DL-32PT-40G	
R1 $\frac{1}{2}$ " x G2"	25	14	28	33.0	33.0	67	60	SS316L	SM09-DL-40PT-50G	

SA09N Type – Straight Adapter (American Pipe Thread)

➤ Thread NPT to Thread BSPP (ISO228) [Male to Male]

SA09N Type
(America Pipe Thread)



Ordering Information & Dimensions Data:

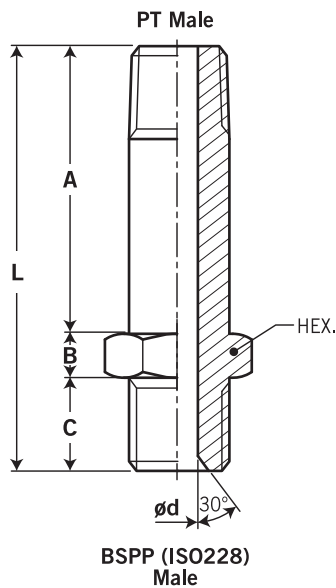
unit=mm

CONNECTION SIZE (Male to Male)	DIMENSIONS						MATERIAL	ORDERING CODE
	A	B	C	ød	L	HEX.		
NPT1/8" x G1/8"	10	6	11	4.0	27	14	SS316L	SA09N-1NPT-1G
NPT1/4" x G1/4"	13	8	13	5.5	34	19	SS316L	SA09N-2NPT-2G
NPT3/8" x G3/8"	15	8	15	7.0	38	22	SS316L	SA09N-3NPT-3G
NPT1/2" x G1/2"	18	10	18	10.0	46	27	SS316L	SA09N-4NPT-4G
NPT3/4" x G3/4"	20	12	20	16.0	52	36	SS316L	SA09N-6NPT-6G
NPT1" x G1"	22	12	22	22.0	56	41	SS316L	SA09N-25NPT-25G
NPT1 1/4" x G1 1/4"	25	14	24	28.0	63	50	SS316L	SA09N-32NPT-32G
NPT1 1/2" x G1 1/2"	25	14	24	34.0	63	60	SS316L	SA09N-40NPT-40G
NPT2" x G2"	30	17	28	45.0	75	70	SS316L	SA09N-50NPT-50G

SL09 Type – Straight Adapter (Long Type)

➤ Thread PT to Thread BSPP (ISO228) [Male to Male]

SL09 Type
(Long Type)



Ordering Information & Dimensions Data:

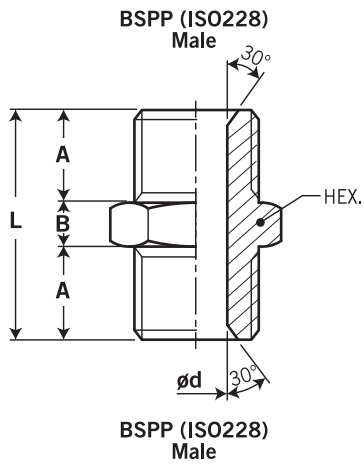
unit=mm

CONNECTION SIZE (Male to Male)	DIMENSIONS						MATERIAL	ORDERING CODE
	A	B	C	ød	L	HEX.		
R1/4" x G1/4"	50	8	13	5.5	71	19	SS316L	SL09-2PT-2G
R3/8" x G3/8"	55	8	15	7.0	78	22	SS316L	SL09-3PT-3G
R1/2" x G1/2"	65	10	18	10.0	93	27	SS316L	SL09-4PT-4G
R3/4" x G3/4"	80	12	20	16.0	112	36	SS316L	SL09-6PT-6G
R1" x G1"	85	12	22	22.0	119	41	SS316L	SL09-25PT-25G

SM11 Type – Straight Adapter

► Thread BSPP (ISO228) to Thread BSPP (ISO228) [Male to Male]

SM11-S Type (Same Diameter)

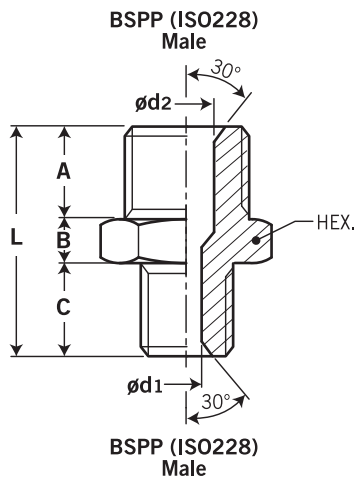


Ordering Information & Dimensions Data:

unit=mm

CONNECTION SIZE (Male to Male)	DIMENSIONS				HEX.		MATERIAL	ORDERING CODE
	A	B	ød	L	SUS	SS		
G½" x G½"	11	6	4.0	28	14	SS316L	SM11-S-1G-1G	
G¼" x G¼"	13	8	5.5	34	19	SS316L	SM11-S-2G-2G	
G¾" x G¾"	15	8	7.0	38	22	SS316L	SM11-S-3G-3G	
G½" x G½"	18	10	10.0	46	27	SS316L	SM11-S-4G-4G	
G¾" x G¾"	20	12	16.0	52	36	SS316L	SM11-S-6G-6G	
G1" x G1"	22	12	22.0	56	41	SS316L	SM11-S-25G-25G	
G1¼" x G1¼"	24	14	28.0	62	50	SS316L	SM11-S-32G-32G	
G1½" x G1½"	24	14	34.0	62	60	SS316L	SM11-S-40G-40G	
G2" x G2"	28	17	45.0	73	70	SS316L	SM11-S-50G-50G	
G2½" x G2½"	33	17	56.0	83	80	SS316L	SM11-S-65G-65G	
G3" x G3"	34	18	68.0	86	90	SS316L	SM11-S-80G-80G	

SM11-DS Type (Different Diameter)



Ordering Information & Dimensions Data:

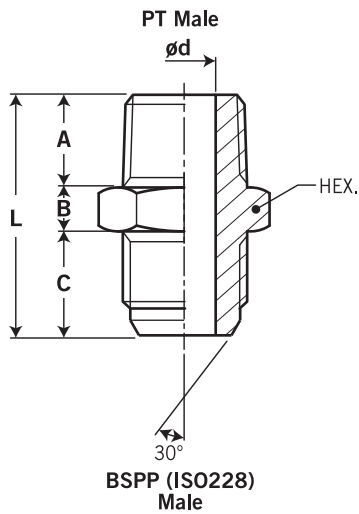
unit=mm

CONNECTION SIZE (Male to Male)	DIMENSIONS							MATERIAL	ORDERING CODE
	A	B	C	ød1	ød2	L	HEX.		
G¼" x G½"	13	8	11	4.0	5.5	32	14	SS316L	SM11-DS-2G-1G
G¾" x G½"	15	8	11	4.0	7.0	34	19	SS316L	SM11-DS-3G-1G
G¾" x G¼"	15	8	13	5.5	7.0	36	19	SS316L	SM11-DS-3G-2G
G½" x G¼"	18	10	13	5.5	10.0	41	22	SS316L	SM11-DS-4G-2G
G½" x G¾"	18	10	15	7.0	10.0	43	22	SS316L	SM11-DS-4G-3G
G¾" x G¾"	20	12	15	7.0	16.0	47	32	SS316L	SM11-DS-6G-3G
G¾" x G½"	20	12	18	10.0	16.0	50	32	SS316L	SM11-DS-6G-4G
G1" x G½"	22	12	18	10.0	22.0	52	38	SS316L	SM11-DS-25G-4G
G1" x G¾"	22	12	20	16.0	22.0	54	38	SS316L	SM11-DS-25G-6G
G1¼" x G1"	24	14	22	22.0	28.0	60	46	SS316L	SM11-DS-32G-25G
G1½" x G1¼"	24	14	24	28.0	28.0	62	50	SS316L	SM11-DS-40G-32G
G2" x G1½"	28	14	24	33.0	33.0	66	60	SS316L	SM11-DS-50G-40G

SM13 Type – Straight Adapter

► **Thread PT to Thread BSPP (ISO228) [Male to Male]**

SM13-S Type
(Same Diameter)

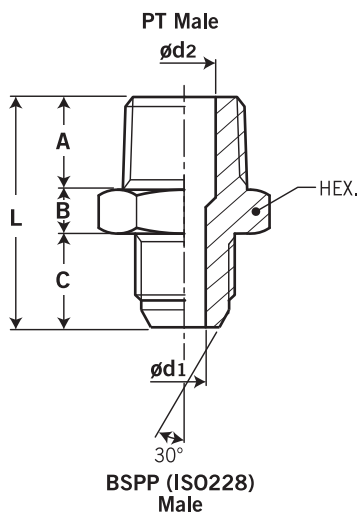


Ordering Information & Dimensions Data:

unit=mm

CONNECTION SIZE (Male to Male)	DIMENSIONS						HEX.	MATERIAL	ORDERING CODE	
	A	B	C	ϕd	L	HEX.				
						SUS				SS
R1/8" x G1/8"	10	6	13.0	4.0	29.0	14	SS316L	SM13-S-1PT-1G		
R1/4" x G1/4"	13	8	16.0	5.5	37.0	19	SS316L	SM13-S-2PT-2G		
R3/8" x G3/8"	15	8	17.5	7.0	40.5	22	SS316L	SM13-S-3PT-3G		
R1/2" x G1/2"	18	10	20.0	10.0	48.0	27	SS316L	SM13-S-4PT-4G		
R3/4" x G3/4"	20	12	21.5	16.0	53.5	36	SS316L	SM13-S-6PT-6G		
R1" x G1"	22	12	22.5	22.0	56.5	41	SS316L	SM13-S-25PT-25G		
R1 1/4" x G1 1/4"	25	14	27.0	28.0	66.0	50	SS316L	SM13-S-32PT-32G		
R1 1/2" x G1 1/2"	25	14	27.0	34.0	66.0	60	SS316L	SM13-S-40PT-40G		
R2" x G2"	30	17	30.0	45.0	77.0	70	SS316L	SM13-S-50PT-50G		
R2 1/2" x G2 1/2"	33	17	43.0	56.0	93.0	80	SS316L	SM13-S-65PT-65G		
R3" x G3"	38	18	43.0	68.0	99.0	90	SS316L	SM13-S-80PT-80G		
R4" x G4"	45	22	56.0	88.0	123.0	120	SS316L	SM13-S-100PT-100G		

SM13-DS Type
(Different Diameter)

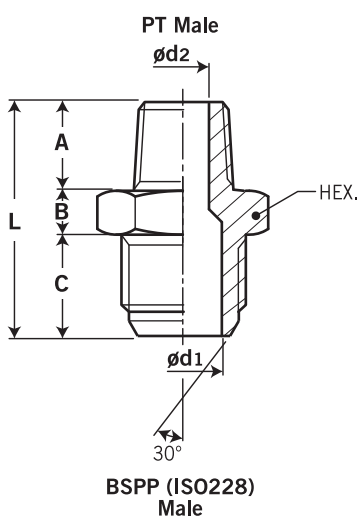


Ordering Information & Dimensions Data:

unit=mm

CONNECTION SIZE (Male to Male)	DIMENSIONS							MATERIAL	ORDERING CODE
	A	B	C	$\phi d1$	$\phi d2$	L	HEX.		
R1/4" x G1/8"	13	8	13.0	4.0	5.5	34.0	14	SS316L	SM13-DS-2PT-1G
R3/8" x G1/8"	15	8	13.0	4.0	7.0	36.0	19	SS316L	SM13-DS-3PT-1G
R3/8" x G1/4"	15	8	16.0	5.5	7.0	39.0	19	SS316L	SM13-DS-3PT-2G
R1/2" x G1/4"	18	10	16.0	5.5	10.0	44.0	22	SS316L	SM13-DS-4PT-2G
R1/2" x G3/8"	18	10	17.5	7.0	10.0	45.5	22	SS316L	SM13-DS-4PT-3G
R3/4" x G3/8"	20	10	17.5	7.0	16.0	47.5	27	SS316L	SM13-DS-6PT-3G
R3/4" x G1/2"	20	10	20.0	10.0	16.0	50.0	27	SS316L	SM13-DS-6PT-4G
R1" x G1/2"	22	12	20.0	10.0	22.0	54.0	38	SS316L	SM13-DS-25PT-4G
R1" x G3/4"	22	12	21.5	16.0	22.0	55.5	36	SS316L	SM13-DS-25PT-6G
R1 1/4" x G1"	25	14	22.5	22.0	28.0	61.5	46	SS316L	SM13-DS-32PT-25G
R1 1/2" x G1 1/4"	25	14	27.0	28.0	28.0	66.0	50	SS316L	SM13-DS-40PT-32G
R2" x G1 1/2"	30	14	27.0	33.0	33.0	71.0	60	SS316L	SM13-DS-50PT-40G

SM13-DL Type
(Different Diameter)



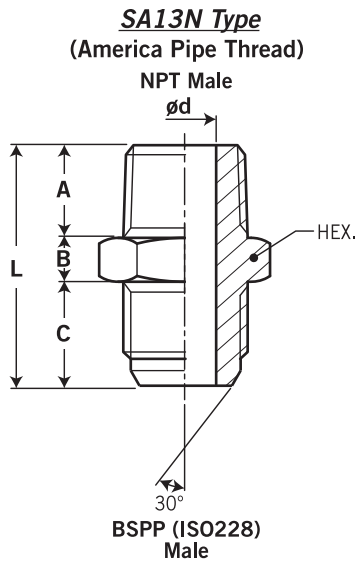
Ordering Information & Dimensions Data:

unit=mm

CONNECTION SIZE (Male to Male)	DIMENSIONS						HEX.	MATERIAL	ORDERING CODE
	A	B	C	$\phi d1$	$\phi d2$	L			
R1/8" x G1/4"	10	8	16.0	5.5	4.0	34.0	19	SS316L	SM13-DL-1PT-2G
R1/8" x G3/8"	10	8	17.5	7.0	4.0	35.5	19	SS316L	SM13-DL-1PT-3G
R1/4" x G3/8"	13	8	17.5	7.0	5.5	38.5	22	SS316L	SM13-DL-2PT-3G
R1/4" x G1/2"	13	10	20.0	10.0	5.5	43.0	22	SS316L	SM13-DL-2PT-4G
R3/8" x G1/2"	15	10	20.0	10.0	7.0	45.0	27	SS316L	SM13-DL-3PT-4G
R3/8" x G3/4"	15	10	21.5	16.0	7.0	46.5	27	SS316L	SM13-DL-3PT-6G
R1/2" x G3/4"	18	12	21.5	16.0	10.0	51.5	32	SS316L	SM13-DL-4PT-6G
R1/2" x G1"	18	12	22.5	22.0	10.0	52.5	38	SS316L	SM13-DL-4PT-25G
R3/4" x G1"	20	12	22.5	22.0	16.0	54.5	38	SS316L	SM13-DL-6PT-25G
R1" x G1 1/4"	22	14	27.0	28.0	22.0	63.0	46	SS316L	SM13-DL-25PT-32G
R1 1/4" x G1 1/2"	25	14	27.0	28.0	28.0	66.0	50	SS316L	SM13-DL-32PT-40G
R1 1/2" x G2"	25	14	30.0	33.0	33.0	69.0	60	SS316L	SM13-DL-40PT-50G

SA13N Type – Straight Adapter (American Pipe Thread)

► Thread NPT to Thread BSPP (ISO228) [Male to Male]



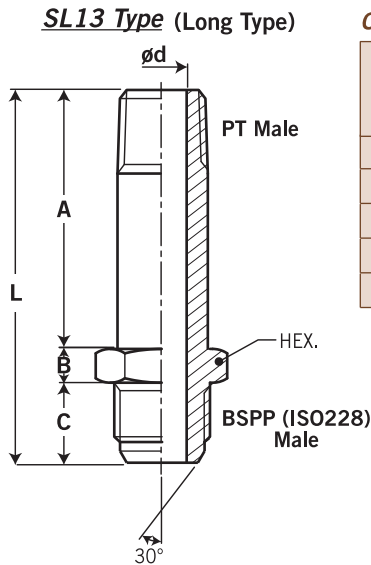
Ordering Information & Dimensions Data:

unit=mm

CONNECTION SIZE (Male to Male)	DIMENSIONS						MATERIAL	ORDERING CODE
	A	B	C	ϕd	L	HEX.		
NPT $\frac{1}{8}$ " x G $\frac{1}{8}$ "	10	6	13.0	4.0	29.0	14	SS316L	SA13N-1NPT-1G
NPT $\frac{1}{4}$ " x G $\frac{1}{4}$ "	13	8	16.0	5.5	37.0	19	SS316L	SA13N-2NPT-2G
NPT $\frac{3}{8}$ " x G $\frac{3}{8}$ "	15	8	17.5	7.0	40.5	22	SS316L	SA13N-3NPT-3G
NPT $\frac{1}{2}$ " x G $\frac{1}{2}$ "	18	10	20.0	10.0	48.0	27	SS316L	SA13N-4NPT-4G
NPT $\frac{3}{4}$ " x G $\frac{3}{4}$ "	20	12	21.5	16.0	53.5	36	SS316L	SA13N-6NPT-6G
NPT1" x G1"	22	12	22.5	22.0	56.5	41	SS316L	SA13N-25NPT-25G
NPT $\frac{1}{4}$ " x G1 $\frac{1}{4}$ "	25	14	27.0	28.0	66.0	50	SS316L	SA13N-32NPT-32G
NPT $\frac{1}{2}$ " x G1 $\frac{1}{2}$ "	25	14	27.0	34.0	66.0	60	SS316L	SA13N40NPT-40G
NPT2" x G2"	30	17	30.0	45.0	77.0	70	SS316L	SA13N-50NPT-50G

SL13 Type – Straight Adapter (Long Type)

► Thread PT to Thread BSPP (ISO228) [Male to Male]



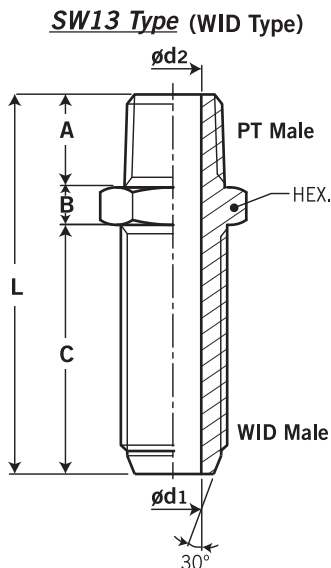
Ordering Information & Dimensions Data:

unit=mm

CONNECTION SIZE (Male to Male)	DIMENSIONS						MATERIAL	ORDERING CODE
	A	B	C	ϕd	L	HEX.		
R $\frac{1}{4}$ " x G $\frac{1}{4}$ "	50	8	16.0	5.5	74.0	19	SS316L	SL09-2PT-2G
R $\frac{3}{8}$ " x G $\frac{3}{8}$ "	55	8	17.5	7.0	80.5	22	SS316L	SL09-3PT-3G
R $\frac{1}{2}$ " x G $\frac{1}{2}$ "	65	10	20.0	10.0	95.0	27	SS316L	SL09-4PT-4G
R $\frac{3}{4}$ " x G $\frac{3}{4}$ "	80	12	21.5	16.0	113.5	36	SS316L	SL09-6PT-6G
R1" x G1"	85	12	22.5	22.0	119.5	41	SS316L	SL09-25PT-25G

SW13 Type – Straight Adapter (WID Type)

► Thread PT to Thread WID [Male to Male]



Ordering Information & Dimensions Data:

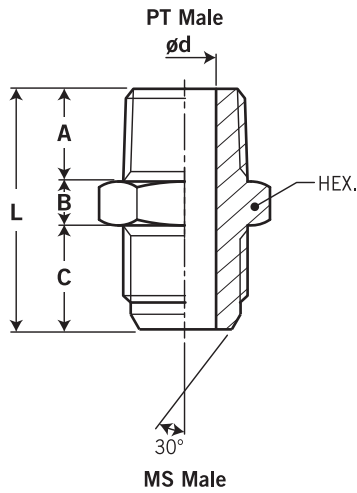
unit=mm

CONNECTION SIZE (Male to Male)	DIMENSIONS							MATERIAL	ORDERING CODE
	A	B	C	ϕd_1	ϕd_2	L	HEX.		
R $\frac{3}{8}$ " x W20-16	15	8	27	7	7	50	22	SS316L	SW13-3PT-W20
R $\frac{1}{2}$ " x W20-16	18	10	27	7	10	55	22	SS316L	SW13-4PT-W20
R $\frac{3}{4}$ " x W20-16	20	12	27	7	16	59	36	SS316L	SW13-6PT-W20
R $\frac{3}{8}$ " x W32-12	15	12	34	12	7	61	36	SS316L	SW13-3PT-W32
R $\frac{1}{2}$ " x W32-12	18	12	34	12	10	64	36	SS316L	SW13-4PT-W32
R $\frac{3}{4}$ " x W32-12	20	12	34	12	16	66	36	SS316L	SW13-6PT-W32
W20-16 x W20-16	25	8	27	7	7	60	22	SS316L	SW13-W20-W20
W32-12 x W20-16	34	8	27	7	12	69	36	SS316L	SW13-W32-W20
W20-16 x W32-12	25	12	34	12	7	71	36	SS316L	SW13-W20-W32
W32-16 x W32-12	34	12	34	12	12	80	36	SS316L	SW13-W32-W32

SMR13 Type – Straight Adapter (Metric Thread)

► Thread PT to Thread MS [Male to Male]

**SMR13 Type
(Metric Thread)**



Ordering Information & Dimensions Data:

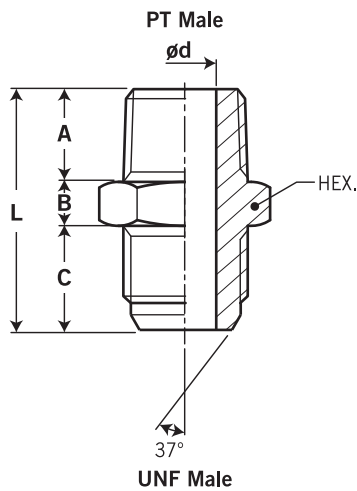
unit=mm

CONNECTION SIZE (Male to Male)	DIMENSIONS						MATERIAL	ORDERING CODE
	A	B	C	ød	L	HEX.		
R¼" x M14-P1.5	13	8	16.5	5.5	37.5	19	SS316L	SMR13-2PT-M14
R¾" x M18-P1.5	15	8	18.0	7.0	41.0	22	SS316L	SMR13-3PT-M18
R¾" x M22-P1.5	15	9	21.0	M10xP7	45.0	27	SS316L	SMR13-3PT-M22
R½" x M22-P1.5	18	10	21.0	10.0	49.0	27	SS316L	SMR13-4PT-M22
R½" x M24-P1.5	18	10	23.0	10.0	51.0	32	SS316L	SMR13-4PT-M24
R¾" x M24-P1.5	20	12	23.0	13.0	55.0	32	SS316L	SMR13-6PT-M24
R¾" x M30-P1.5	20	12	28.0	16.0	60.0	36	SS316L	SMR13-6PT-M30
R1" x M33-P1.5	22	12	30.0	22.0	64.0	41	SS316L	SMR13-25PT-M33

SUR13 Type – Straight Adapter (UNF-Unified Thread)

► Thread PT to Thread UNF [Male to Male]

**SUR13 Type
(Unified Thread)**



Ordering Information & Dimensions Data:

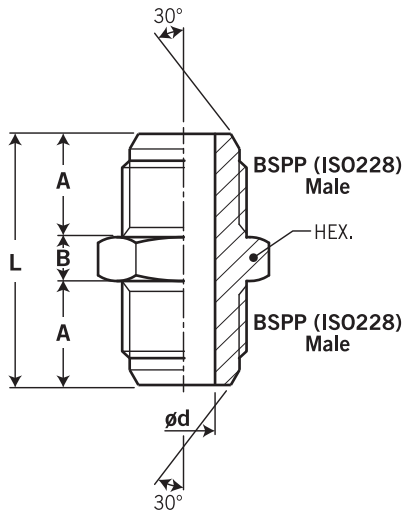
unit=mm

CONNECTION SIZE (Male to Male)	DIMENSIONS						MATERIAL	ORDERING CODE
	A	B	C	ød	L	HEX.		
R¼" x UNF7/16"-UN20	13	7	14.0	4.4	34.0	17	SS316L	SUR13-2PT-UNF7/16
R¼" x UNF1/2"-UN20	13	8	14.0	5.5	35.0	19	SS316L	SUR13-2PT-UNF1/2
R¾" x UNF9/16"-UN18	15	8	14.1	7.0	37.1	19	SS316L	SUR13-3PT-UNF9/16
R½" x UNF3/4"-UN16	18	9	16.7	10.0	43.7	24	SS316L	SUR13-4PT-UNF3/4
R½" x UNF7/8"-UN14	18	10	19.3	10.0	47.3	27	SS316L	SUR13-4PT-UNF7/8
R¾" x UNF1 1/16"-UN12	20	12	21.9	16.0	53.9	36	SS316L	SUR13-6PT-UNF1-1/16
R1" x UNF1 5/16"-UN12	22	12	23.1	22.0	57.1	41	SS316L	SUR13-25PT-UNF1-5/16
R1 1/4" x UNF1 5/16"-UN12	25	14	24.3	28.0	63.3	50	SS316L	SUR13-32PT-UNF1-5/16
R1 1/2" x UNF1 7/8"-UN12	25	14	27.5	34.0	66.5	60	SS316L	SUR13-40PT-UNF1-7/8

SM14 Type – Straight Adapter

► Thread BSPP (ISO228) to Thread BSPP (ISO228) [Male to Male]

SM14-S Type (Same Diameter)

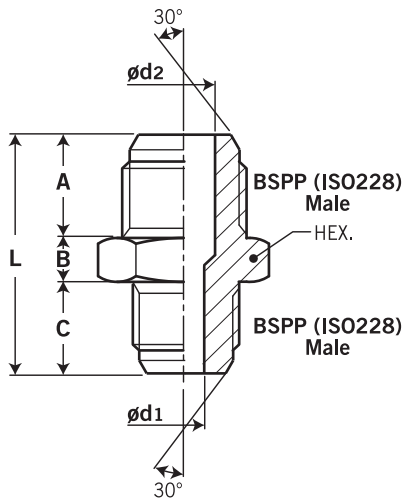


Ordering Information & Dimensions Data:

unit=mm

CONNECTION SIZE (Male to Male)	DIMENSIONS					MATERIAL	ORDERING CODE
	A	B	ϕd	L	HEX.		
					SUS		
G $\frac{1}{8}$ " x G $\frac{1}{8}$ "	13.0	6	4.0	32	14	SS316L	SM14-S-1G-1G
G $\frac{1}{4}$ " x G $\frac{1}{4}$ "	16.0	8	5.5	40	19	SS316L	SM14-S-2G-2G
G $\frac{3}{8}$ " x G $\frac{3}{8}$ "	17.5	8	7.0	43	22	SS316L	SM14-S-3G-3G
G $\frac{1}{2}$ " x G $\frac{1}{2}$ "	20.0	10	10.0	50	27	SS316L	SM14-S-4G-4G
G $\frac{3}{4}$ " x G $\frac{3}{4}$ "	21.5	12	16.0	55	36	SS316L	SM14-S-6G-6G
G1" x G1"	22.5	12	22.0	57	41	SS316L	SM14-S-25G-25G
G1 $\frac{1}{4}$ " x G1 $\frac{1}{4}$ "	27.0	14	28.0	68	50	SS316L	SM14-S-32G-32G
G1 $\frac{1}{2}$ " x G1 $\frac{1}{2}$ "	27.0	14	34.0	68	60	SS316L	SM14-S-40G-40G
G2" x G2"	30.0	17	45.0	77	70	SS316L	SM14-S-50G-50G
G2 $\frac{1}{2}$ " x G2 $\frac{1}{2}$ "	43.0	17	56.0	103	80	SS316L	SM14-S-65G-65G
G3" x G3"	43.0	18	68.0	104	90	SS316L	SM14-S-80G-80G

SM14-DS Type (Different Diameter)



Ordering Information & Dimensions Data:

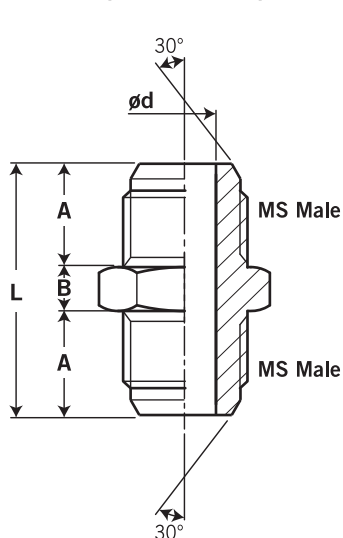
unit=mm

CONNECTION SIZE (Male to Male)	DIMENSIONS							MATERIAL	ORDERING CODE
	A	B	C	$\phi d1$	$\phi d2$	L	HEX.		
							SUS		
G $\frac{1}{4}$ " x G $\frac{1}{8}$ "	16.0	8	13.0	4.0	5.5	37.0	14	SS316L	SM14-DS-2G-1G
G $\frac{3}{8}$ " x G $\frac{1}{8}$ "	17.5	8	13.0	4.0	7.0	38.5	19	SS316L	SM14-DS-3G-1G
G $\frac{3}{8}$ " x G $\frac{1}{4}$ "	17.5	8	16.0	5.5	7.0	41.5	19	SS316L	SM14-DS-3G-2G
G $\frac{1}{2}$ " x G $\frac{1}{4}$ "	20.0	10	16.0	5.5	10.0	46.0	22	SS316L	SM14-DS-4G-2G
G $\frac{1}{2}$ " x G $\frac{3}{8}$ "	20.0	10	17.5	7.0	10.0	47.5	22	SS316L	SM14-DS-4G-3G
G $\frac{3}{4}$ " x G $\frac{3}{8}$ "	21.5	12	17.5	7.0	16.0	51.0	32	SS316L	SM14-DS-6G-3G
G $\frac{3}{4}$ " x G $\frac{1}{2}$ "	21.5	12	20.0	10.0	16.0	53.5	32	SS316L	SM14-DS-6G-4G
G1" x G $\frac{1}{2}$ "	22.5	12	20.0	10.0	22.0	54.5	38	SS316L	SM14-DS-25G-4G
G1" x G $\frac{3}{4}$ "	22.5	12	21.5	16.0	22.0	56.0	38	SS316L	SM14-DS-25G-6G
G1 $\frac{1}{4}$ " x G1"	27.0	14	22.5	22.0	28.0	63.5	46	SS316L	SM14-DS-32G-25G
G1 $\frac{1}{2}$ " x G1 $\frac{1}{4}$ "	27.0	14	27.0	28.0	28.0	68.0	50	SS316L	SM14-DS-40G-32G
G2" x G1 $\frac{1}{2}$ "	30.0	14	27.0	33.0	33.0	71.0	60	SS316L	SM14-DS-50G-40G

SMM14 Type – Straight Adapter (Metric Thread)

► Thread MS to Thread MS [Male to Male]

SMM14 Type (Metric Thread)



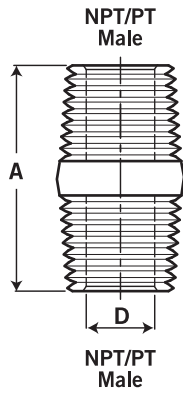
Ordering Information & Dimensions Data:

unit=mm

CONNECTION SIZE (Male to Male)	DIMENSIONS					MATERIAL	ORDERING CODE
	A	B	ϕd	L	HEX.		
					SUS		
M14-P1.5	16.5	8	5.5	41	19	SS316L	SMM14-M14
M18-P1.5	18.0	8	7.0	44	22	SS316L	SMM14-M18
M22-P1.5	21.0	10	10.0	52	27	SS316L	SMM14-M22
M24-P1.5	23.0	10	12.5	56	32	SS316L	SMM14-M24
M30-P1.5	28.0	10	16.0	66	36	SS316L	SMM14-M30
M33-P1.5	30.0	12	20.0	72	41	SS316L	SMM14-M33

CMN Type – Circle Nipple

➤ Thread NPT to Thread NPT [Male to Male] or Thread PT to Thread PT [Male to Male]



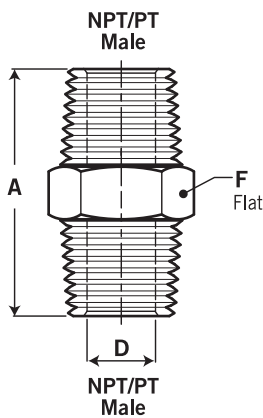
Ordering Information & Dimensions Data:

CONNECTION SIZE (Male to Male)	DIMENSIONS		MAX. PRESSURE RATING @25°C	ORDERING CODE	
	A	D		NPT x NPT	PT x PT
1/8" x 1/8"	20.0	5.0	9,000 psi	CMN-1-NPT	CMN-1-PT
1/4" x 1/4"	29.0	7.0	7,200 psi	CMN-2-NPT	CMN-2-PT
3/8" x 3/8"	29.0	10.0	7,000 psi	CMN-3-NPT	CMN-3-PT
1/2" x 1/2"	39.0	12.0	6,900 psi	CMN-4-NPT	CMN-4-PT
3/4" x 3/4"	39.0	16.0	6,500 psi	CMN-5-NPT	CMN-5-PT
1" x 1"	48.0	22.0	4,800 psi	CMN-6-NPT	CMN-6-PT

unit=mm

HMN Type – Hex. Nipple

➤ Thread NPT to Thread NPT [Male to Male] or Thread PT to Thread PT [Male to Male]



Ordering Information & Dimensions Data:

CONNECTION SIZE (Male to Male)	DIMENSIONS			MAX. PRESSURE RATING @25°C	ORDERING CODE	
	A	D	F		NPT x NPT	PT x PT
1/16" x 1/16"	26.0	3.0	8.0	9,900 psi	HMN-1-NPT	HMN-1-PT
1/8" x 1/8"	26.0	5.0	11.0	9,000 psi	HMN-2-NPT	HMN-2-PT
1/4" x 1/4"	36.0	7.0	14.0	7,200 psi	HMN-3-NPT	HMN-3-PT
3/8" x 3/8"	37.0	10.0	17.0	7,000 psi	HMN-4-NPT	HMN-4-PT
1/2" x 1/2"	47.0	12.0	22.0	6,900 psi	HMN-5-NPT	HMN-5-PT
3/4" x 3/4"	47.0	16.0	27.0	6,500 psi	HMN-6-NPT	HMN-6-PT
1" x 1"	59.0	22.0	35.0	4,300 psi	HMN-7-NPT	HMN-7-PT

unit=mm

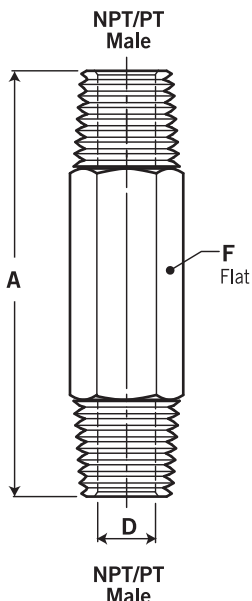
For Heavy-Wall:

CONNECTION SIZE (Male to Male)	DIMENSIONS			MAX. PRESSURE RATING @25°C	ORDERING CODE	
	A	D	F		NPT x NPT	PT x PT
1/4" x 1/4"	36.0	6.0	14.0	10,000 psi	HMN-3SS-NPT	HMN-3SS-PT
1/2" x 1/2"	47.0	10.0	22.0	10,000 psi	HMN-5SS-NPT	HMN-5SS-PT

unit=mm

HLMN Type – Hex. Long Nipple

➤ Thread NPT to Thread NPT [Male to Male] or Thread PT to Thread PT [Male to Male]



Ordering Information & Dimensions Data:

CONNECTION SIZE (Male to Male)	DIMENSIONS			MAX. PRESSURE RATING @25°C	ORDERING CODE	
	A	D	F		NPT x NPT	PT x PT
1/8" x 1/8"	Please check the "available length" as below table.	5.0	11.0	9,000 psi	HLMN-1NPT-__A	HLMN-1PT-__A
1/4" x 1/4"		7.0	14.0	7,200 psi	HLMN-2NPT-__A	HLMN-2PT-__A
3/8" x 3/8"		10.0	17.0	7,000 psi	HLMN-3NPT-__A	HLMN-3PT-__A
1/2" x 1/2"		12.0	22.0	6,900 psi	HLMN-4NPT-__A	HLMN-4PT-__A
3/4" x 3/4"		16.0	27.0	6,500 psi	HLMN-5NPT-__A	HLMN-5PT-__A
1" x 1"		22.0	35.0	4,800 psi	HLMN-6NPT-__A	HLMN-6PT-__A

unit=mm

Available Length:

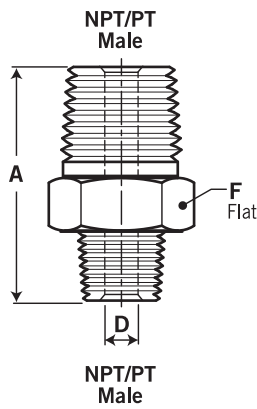
SIZE	A			
	1.5"	2.0"	2.5"	3.0"
1/8"	✓	✓	✓	✓
1/4"	✓	✓	✓	✓
3/8"	✓	✓	✓	✓
1/2"		✓		✓
3/4"		✓		✓
1"				✓

Ordering code example:

HLMN-5NPT-2.0"A
(3/4" NPT male x 3/4" NPT male)
(A: available length: 2.0")

HRMN Type – Hex. Reducing Nipple

► Thread NPT to Thread NPT [Male to Male] or Thread PT to Thread PT [Male to Male]



Ordering Information & Dimensions Data:

unit=mm

CONNECTION SIZE (Male to Male)	DIMENSIONS			MAX. PRESSURE RATING @25°C	ORDERING CODE	
	A	D	F		NPT x NPT	PT x PT
1/8" x 1/16"	26.0	3.0	11.0	9,900 psi	HRMN-1-0.5-NPT	HRMN-1-0.5-PT
1/4" x 1/8"	31.0	5.0	14.0	9,000 psi	HRMN-2-1-NPT	HRMN-2-1-PT
3/8" x 1/8"	32.0	5.0	17.5	9,000 psi	HRMN-3-1-NPT	HRMN-3-1-PT
3/8" x 1/4"	36.0	7.0	17.5	7,200 psi	HRMN-3-2-NPT	HRMN-3-2-PT
1/2" x 1/8"	37.0	5.0	22.0	6,900 psi	HRMN-4-1-NPT	HRMN-4-1-PT
1/2" x 1/4"	42.0	7.0	22.0	7,200 psi	HRMN-4-2-NPT	HRMN-4-2-PT
1/2" x 3/8"	42.0	10.0	22.0	7,000 psi	HRMN-4-3-NPT	HRMN-4-3-PT
3/4" x 1/4"	42.0	7.0	27.0	7,200 psi	HRMN-6-2-NPT	HRMN-6-2-PT
3/4" x 1/2"	47.0	12.0	27.0	6,900 psi	HRMN-6-4-NPT	HRMN-6-4-PT
1" x 1/4"	49.0	7.0	35.0	4,800 psi	HRMN-25-2-NPT	HRMN-25-2-PT
1" x 1/2"	54.0	12.0	35.0	6,900 psi	HRMN-25-4-NPT	HRMN-25-4-PT
1" x 3/4"	54.0	16.0	35.0	6,500 psi	HRMN-25-3-NPT	HRMN-25-3-PT

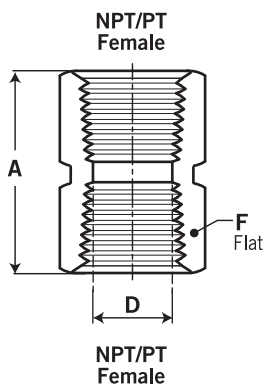
For Heavy-Wall:

unit=mm

CONNECTION SIZE (Male to Male)	DIMENSIONS			MAX. PRESSURE RATING @25°C	ORDERING CODE	
	A	D	F		NPT x NPT	PT x PT
1/2" x 1/4"	42.0	6.0	22.0	10,000 psi	HRMN-8SS-4SS-NPT	HRMN-8SS-4SS-PT

HFC Type – Hex. Couplings

► Thread NPT to Thread NPT [Female to Female] or Thread PT to Thread PT [Female to Female]



Ordering Information & Dimensions Data:

unit=mm

CONNECTION SIZE (Female to Female)	DIMENSIONS			MAX. PRESSURE RATING @25°C	ORDERING CODE	
	A	D	F		NPT x NPT	PT x PT
1/8" x 1/8"	21.0	9.0	14.0	5,800 psi	HFC-1-NPT	HFC-1-PT
1/4" x 1/4"	30.0	11.0	19.0	5,900 psi	HFC-2-NPT	HFC-2-PT
3/8" x 3/8"	33.0	15.0	22.0	4,800 psi	HFC-3-NPT	HFC-3-PT
1/2" x 1/2"	40.0	18.5	27.0	4,400 psi	HFC-4-NPT	HFC-4-PT
3/4" x 3/4"	41.0	24.0	33.0	4,100 psi	HFC-5-NPT	HFC-5-PT
1" x 1"	51.0	30.0	41.0	3,900 psi	HFC-6-NPT	HFC-6-PT

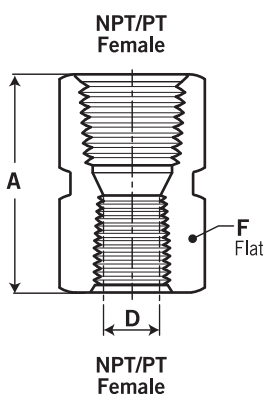
For Heavy-Wall:

unit=mm

CONNECTION SIZE (Female to Female)	DIMENSIONS			MAX. PRESSURE RATING @25°C	ORDERING CODE	
	A	D	F		NPT x NPT	PT x PT
1/4" x 1/4"	30.0	11.5	25.5	10,000 psi	HFC-4SS-NPT	HFC-4SS-PT
1/2" x 1/2"	40.0	18.5	38.0	10,000 psi	HFC-4SS-NPT	HFC-4SS-PT

HRFC Type – Hex. Reducing Couplings

► Thread NPT to Thread NPT [Female to Female] or Thread PT to Thread PT [Female to Female]



Ordering Information & Dimensions Data:

unit=mm

CONNECTION SIZE (Female to Female)	DIMENSIONS			MAX. PRESSURE RATING @25°C	ORDERING CODE	
	A	D	F		NPT x NPT	PT x PT
1/4" x 1/8"	31.0	9.0	19.0	5,900 psi	HRFC-2-1-NPT	HRFC-2-1-PT
3/8" x 1/4"	35.0	11.0	22.0	4,800 psi	HRFC-3-2-NPT	HRFC-3-2-PT
1/2" x 1/8"	40.0	9.0	27.0	4,400 psi	HRFC-4-1-NPT	HRFC-4-1-PT
1/2" x 1/4"	44.0	11.0	27.0	4,400 psi	HRFC-4-2-NPT	HRFC-4-2-PT
1/2" x 3/8"	45.0	15.0	27.0	4,400 psi	HRFC-4-3-NPT	HRFC-4-3-PT
3/4" x 1/4"	46.0	11.0	33.5	4,100 psi	HRFC-6-2-NPT	HRFC-6-2-PT
3/4" x 1/2"	52.0	18.5	33.5	4,100 psi	HRFC-6-4-NPT	HRFC-6-4-PT
1" x 1/2"	56.0	18.5	41.0	4,000 psi	HRFC-25-4-NPT	HRFC-25-4-PT
1" x 3/4"	57.0	24.0	41.0	4,000 psi	HRFC-25-6-NPT	HRFC-25-6-PT

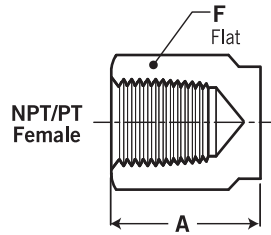
For Heavy-Wall:

unit=mm

CONNECTION SIZE (Female to Female)	DIMENSIONS			MAX. PRESSURE RATING @25°C	ORDERING CODE	
	A	D	F		NPT x NPT	PT x PT
1/2" x 1/4"	44.5	11.0	38.0	10,000 psi	HRFC-8SS-4SS-NPT	HRFC-8SS-4SS-PT

PCSF Type – Pipe Caps

> Thread NPT [Female] or Thread PT [Female]



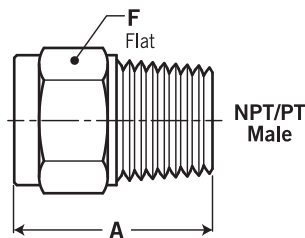
Ordering Information & Dimensions Data:

unit=mm

CONNECTION SIZE (Female)	DIMENSIONS		MATERIAL	ORDERING CODE	
	A	F		NPT	PT
1/8"	19.0	14.0	SS316L	PCSF-1-NPT	PCSF-1-PT
1/4"	23.0	19.0	SS316L	PCSF-2-NPT	PCSF-2-PT
3/8"	26.0	22.0	SS316L	PCSF-3-NPT	PCSF-3-PT
1/2"	34.0	27.0	SS316L	PCSF-4-NPT	PCSF-4-PT
3/4"	37.0	33.0	SS316L	PCSF-5-NPT	PCSF-5-PT
1"	41.0	41.0	SS316L	PCSF-6-NPT	PCSF-6-PT

PPSM Type – Pipe Plugs

> Thread NPT [Male] or Thread PT [Male]



Ordering Information & Dimensions Data:

unit=mm

CONNECTION SIZE (Male)	DIMENSIONS		MATERIAL	ORDERING CODE	
	A	F		NPT	PT
1/8"	19.0	8.0	SS316L	PPSM-1-NPT	PPSM-1-PT
1/8"	19.0	11.0	SS316L	PPSM-2-NPT	PPSM-2-PT
1/4"	24.5	14.0	SS316L	PPSM-3-NPT	PPSM-3-PT
3/8"	25.0	17.5	SS316L	PPSM-4-NPT	PPSM-4-PT
1/2"	31.0	22.0	SS316L	PPSM-5-NPT	PPSM-5-PT
3/4"	31.0	27.0	SS316L	PPSM-6-NPT	PPSM-6-PT
1"	38.0	35.0	SS316L	PPSM-7-NPT	PPSM-7-PT